

Fontrick Door offers HOPPE multipoint hardware for added stability and longevity on any of our doors. The **Manual Shootbolt Version** and the **Inactive Version** that Fontrick offers work hand in hand to give your door the added strength it needs to last a lifetime. The specs for these hardware options are outlined below.

## Manual Shoot Bolt Version - 16mm Faceplate

Provides extra security through the locking points in the head and sill of the door. Engages multipoint by lifting handle.

Top Extension

Colors in Chart Correspond with Middle Extension Chart

Part Number	Description	Top Extension Length	Max. Cutoff	Number of Screws	Overall Length Combined with M 691 (w/914mm/36" Handle Ht.)	Overall Length Combined with M 1141 (w/914mm/36" Handle Ht.)	Overall Length Combined with M 1591 (w/914mm/36" Handle Ht.)
8778611	M 400 SB 16S 20 100	15.75" (400mm)	3.94" (100mm)	3	76.61" - 80.55" (1946mm - 2046mm)	94.33" - 98.27" (2396mm - 2496mm)	112.05" - 115.98" (2846mm - 2946mm)
8778615	M 475 SB 16S 20 100	18.70" (475mm)	3.94" (100mm)	3	79.57" - 83.50" (2021mm - 2121mm)	97.28" - 101.22" (2471mm - 2571mm)	115.00" - 118.94" (2921mm - 3021mm)
8778619	M 550 SB 16S 20 100	21.65" (550mm)	3.94" (100mm)	4	82.52" - 86.46" (2096mm - 2196mm)	100.24" - 104.17" (2546mm - 2646mm)	117.95" - 121.89" (2996mm - 3096mm)
8778623	M 625 SB 16S 20 100	24.61" (625mm)	3.94" (100mm)	4	85.47" - 89.41" (2171mm - 2271mm)	103.19" - 107.13" (2621mm - 2721mm)	120.91" - 124.84" (3071mm - 3171mm)
8778627	M 700 SB 16S 20 100	27.56" (700mm)	3.94" (100mm)	4	88.43" - 92.36" (2246mm - 2346mm)	106.14" - 110.08" (2696mm - 2796mm)	123.86" - 127.80" (3146mm - 3246mm)
8778631	M 775 SB 16S 20 100	30.51" (775mm)	3.94" (100mm)	5	91.38" - 95.31" (2321mm - 2421mm)	109.09" - 113.03" (2771mm - 2871mm)	126.81" - 130.75" (3221mm - 3321mm)

Middle Extension

Part Number	Description	Top Extension	Max. Cutoff	Number of
8779199	M 191 16S	7.52" (191mm)	N/A	2
2424114	M 441 16S	17.36" (441mm)	N/A	3
8778691	M 691 16S	27.20" (691mm)	N/A	4
8778695	M 1141 16S	44.92" (1141mm)	N/A	6
8778699	M 1591 16S	62.64" (1591mm)	N/A	8

Manual Shoot Bolt Version - 16mm Faceplate, Continued

Gear (■ = Fontrick Standard)

Part Number	Description	Backset	Deadbolt Throw	Handle Height	Max. Cutoff	Number of Screws
8778339	M/35/14 914 SB 16S 20	1.38" (35mm)	.55" (14mm)	36" (914mm)	N/A	6
8778343	M 45/14 914 SB 16S 20	1.77" (45mm)	.55" (14mm)	36" (914mm)	N/A	6
8778335	M/35/25 914 SB 16S 20	1.38" (35mm)	1" (25.4mm)	36" (914mm)	N/A	6
8778331	M/45/25 914 SB 16S 20	1.77" (45mm)	1" (25.4mm)	36" (914mm)	N/A	6

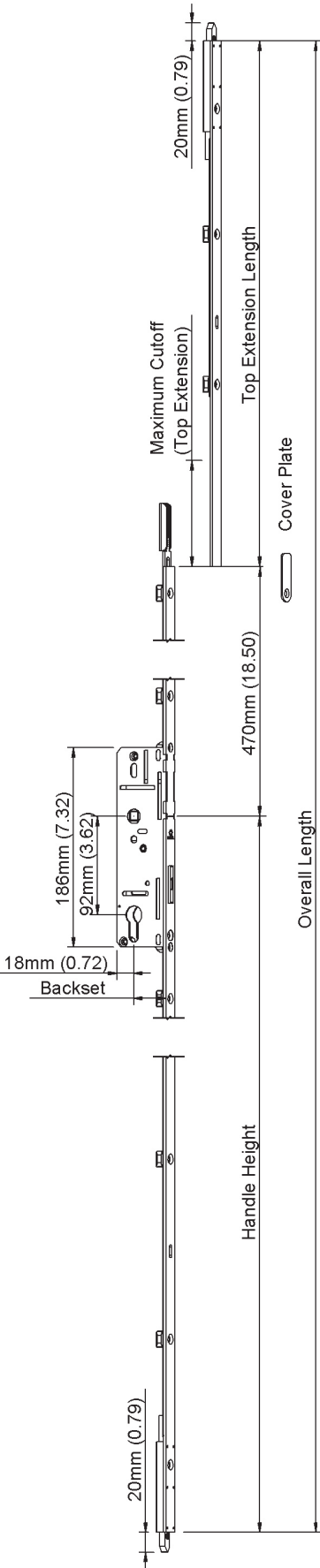
8779179	Cover Plate
---------	-------------

60mm Backset Gear

Part Number	Description	Backset	Deadbolt Throw	Handle Height	Number of Screws
2406514	M/60/25 914 SB 16S	2.375" (60mm)	1" (25.4mm)	36" (914mm)	6

70mm Backset Gear

Part Number	Description	Backset	Deadbolt Throw	Handle Height	Number of Screws
2406522	M/70/25 914 SB 16S	2.75" (70mm)	1" (25.4mm)	36" (914mm)	6



# Inactive Version - 16mm Faceplate, 20mm Shootbolt Throw

This version is handle operated for security on the secondary panel with the added beauty of operable handles.

## Top Extension

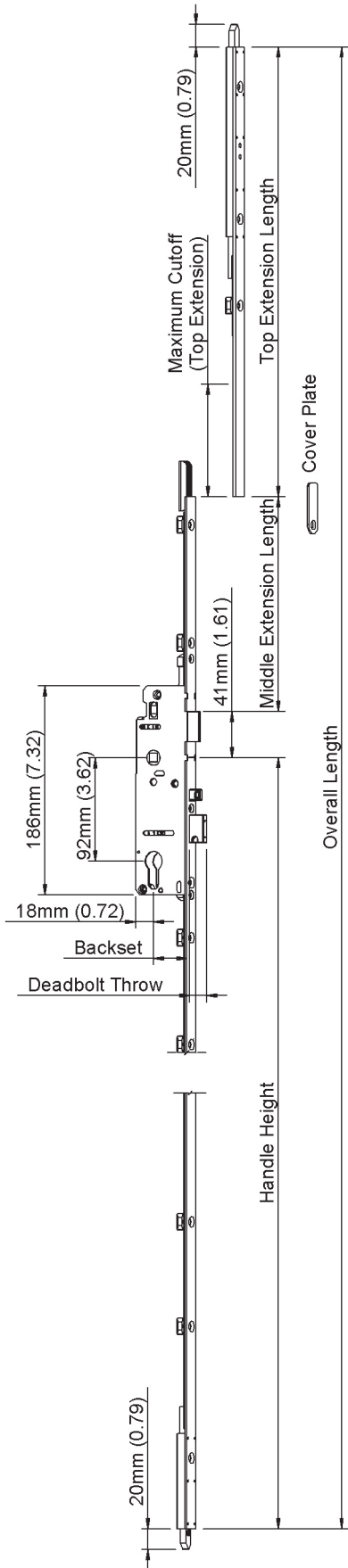
Part Number	Description	Overall Length (with 914mm 36" Handle Height)	Extension Length	Handle to top of Door	Max. Cutoff	Number of Screws
3416909	IA 415 SB 16S 20 100	66.89" - 70.83" (1699mm - 1799mm)	16.33" (415mm)	34.84" (885mm)	3.94" (100mm)	2
8778759	IA 490 SB 16S 20 100	69.84" - 73.78" (1774mm - 1874mm)	19.29" (490mm)	37.80" (960mm)	3.94" (100mm)	3
8778763	IA 565 SB 16S 20 100	72.80" - 76.73" (1849mm - 1949mm)	22.24" (565mm)	40.75" (1035mm)	3.94" (100mm)	3
8778767	IA 640 SB 16S 20 100	75.75" - 79.69" (1924mm - 2024mm)	25.20" (640mm)	43.70" (1110mm)	3.94" (100mm)	4
8778771	IA 715 SB 16S 20 100	78.70" - 82.64" (1999mm - 2099mm)	28.15" (715mm)	46.65" (1185mm)	3.94" (100mm)	4
8778775	IA 790 SB 16S 20 100	81.65" - 85.59" (2074mm - 2174mm)	31.10" (790mm)	49.61" (1260mm)	3.94" (100mm)	4
8778779	IA 865 SB 16S 20 100	84.61" - 88.54" (2149mm - 2249mm)	34.06" (865mm)	52.56" (1335mm)	3.94" (100mm)	6
8778783	IA 940 SB 16S 20 100	87.56" - 91.50" (2224mm - 2324mm)	37.01" (940mm)	55.51" (1410mm)	3.94" (100mm)	6
8778787	IA 1140 SB 16S 20 230	90.31" - 99.37" (2294mm - 2524mm)	44.88" (1140mm)	63.39" (1610mm)	9.06" (230mm)	7
8778791	IA 1340 SB 16S 20 230	98.19" - 107.24" (2494mm - 2724mm)	52.76" (1340mm)	71.26" (1810mm)	9.06" (230mm)	8
8778795	IA 1540 SB 16S 20 230	106.06" - 115.12" (2694mm - 2924mm)	60.63" (1540mm)	79.13" (2010mm)	9.06" (230mm)	10
8778799	IA 1740 SB 16S 20 230	113.94" - 122.99" (2894mm - 3124mm)	68.50" (1740mm)	87.01" (2210mm)	9.06" (230mm)	11
8778803	IA 1940 SB 16S 20 230	121.81" - 130.87" (3094mm - 3324mm)	76.38" (1940mm)	94.88" (2410mm)	9.06" (230mm)	12

Gear ( ■ = Fontrick Standard)

Part Number	Description	Backset	Handle Height	Number of Screws
2074564	IA 35 914 16S 20	1.38" (35mm)	36" (914mm)	8
1997447	IA 45 914 16S 20	1.77" (45mm)	36" (914mm)	8

2875118	Cover Plate
---------	-------------

Inactive Version - 16mm Faceplate, 20mm Shootbolt Throw, Continued



60mm Backset Gear

Part Number	Description	Backset	Handle Height	Number of Screws
2406557	IA/60 914 16S 20	2.375" (60mm)	36" (914mm)	8

70mm Backset Gear

Part Number	Description	Backset	Handle Height	Number of Screws
2406565	IA/70 914 16S 20	2.75" (70mm)	36" (914mm)	8