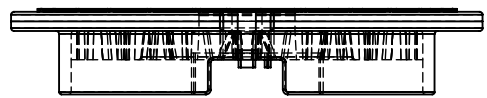
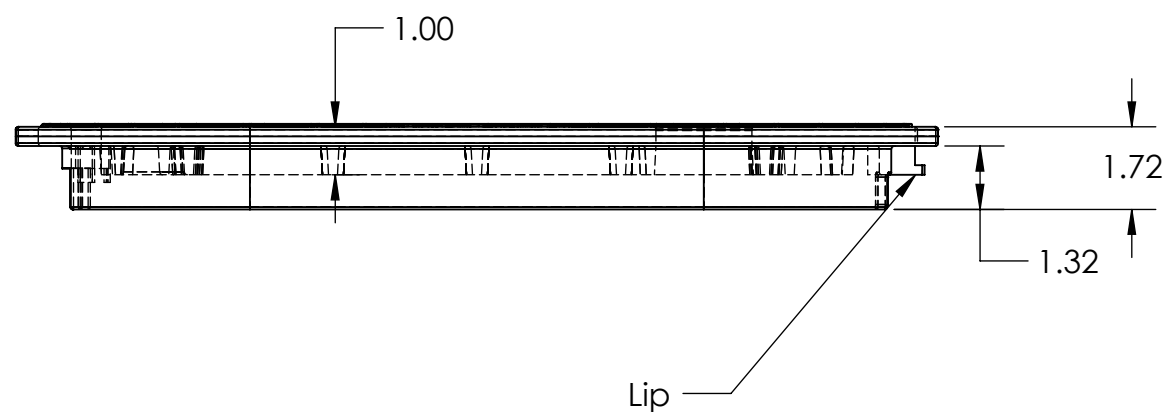


2.00 dia. area for hole or No - Hole

Option : Locking -- Area



| | |
|---|-------------------|
| TriCast | |
| A Masonry Supply , Inc Company | |
| Polymer Plastic H-20 Lid For Cast iron For | |
| Cast Iron mbx-1 / mbx-2 body | |
| Option : Locking or Standard - No-lock | |
| Solid or w/ TRhole | |
| Part No. ----- MS-PMBX-1 | |
| Phone: 919-291-8761 | Fax: 919-351-4047 |