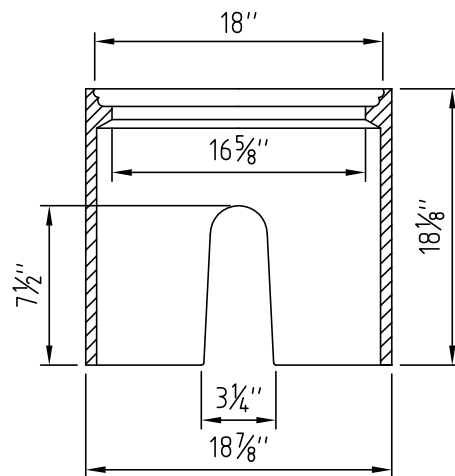
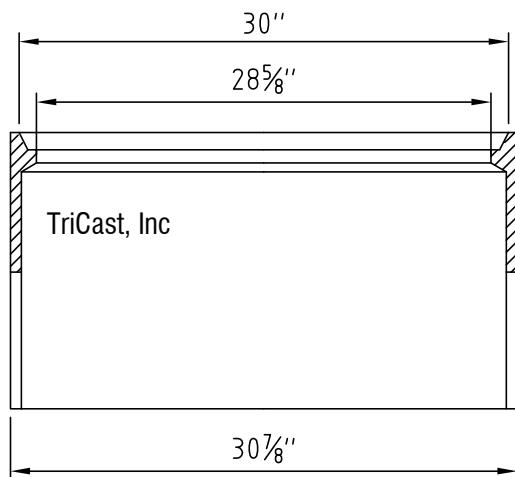


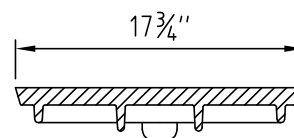
PLAN (BODY)



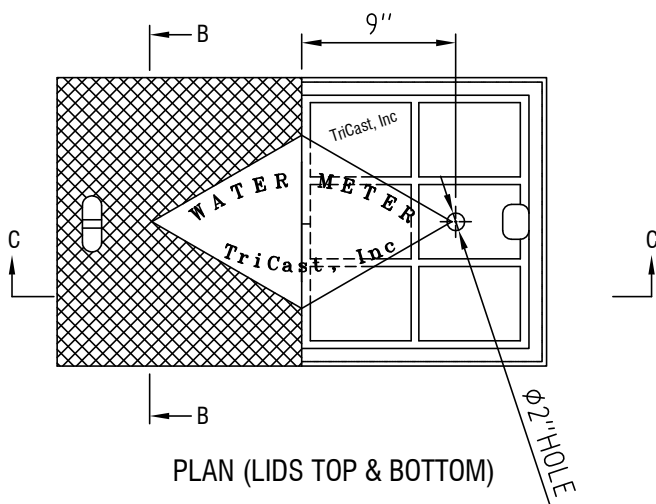
SECTION - YY



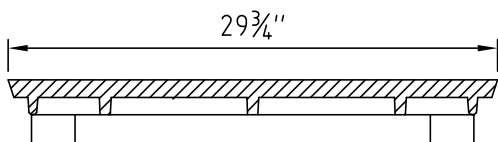
SECTION - XX



SECTION - BB



PLAN (LIDS TOP & BOTTOM)



<p><b>TriCast, Inc</b>          P.O. BOX 943          SELMA, NC 27576          PH: (919) 936-2629 FAX: (919) 936-0520          EMAIL: tricast-inc@hotmail.com</p>
<p><b>ITEM: 18" x 30" Large Meter Box &amp; Lid W/READERHOLE</b></p>
<p><b>PART # MS - MBX 5A - H</b></p>
<p><b>MATERIAL SPEC: GREY IRON ASTM A48 CLASS 35B</b></p>
<p><b>LOAD RATING:</b></p>