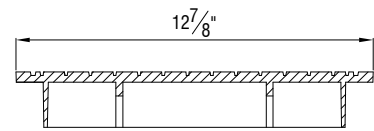
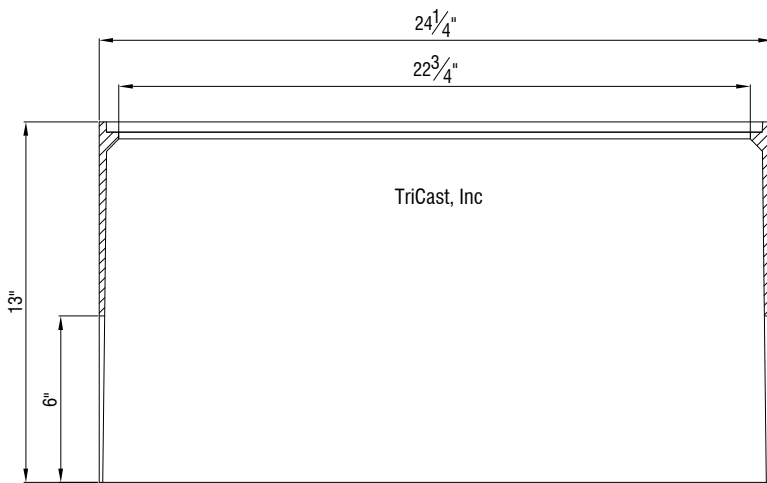


SECTION AA

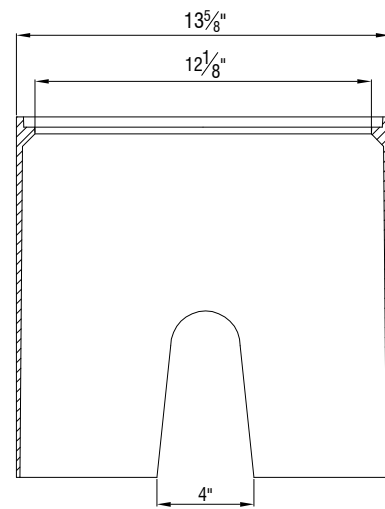
TriCast, Inc
B.#



SECTION BB



SECTION AA



SECTION BB

TriCast, Inc

P.O. BOX 943
SELMA, NC 27576
PH: (919) 936-2629 FAX: (919) 936-0520
EMAIL: tricast-inc@hotmail.com

ITEM: D-112 / MBX 3 13" X 24" METER BOX & LID

PART # MS - MBX 3

MATERIAL SPEC: GREY IRON ASTM A48 CLASS 35B

LOAD RATING: H 20 WHEEL LOAD