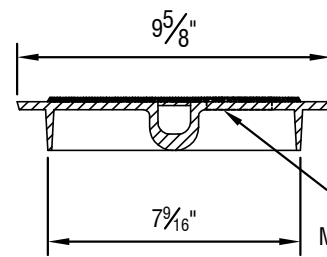
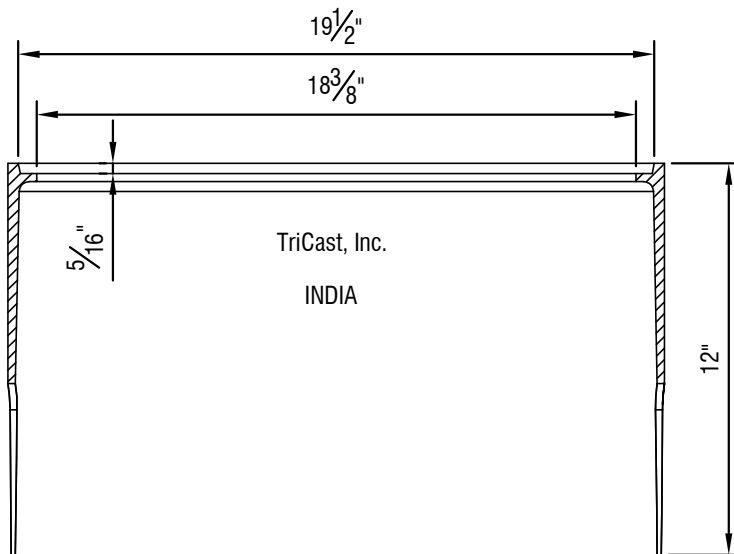


SECTION AA

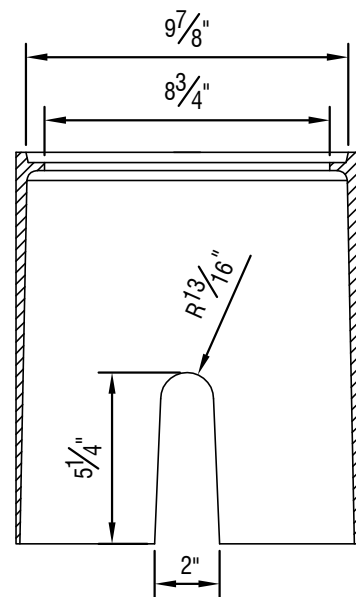


SECTION BB

B.#H.#,  
TriCast, Inc.  
MBX 1 TR - W



SECTION AA



SECTION BB

<p><b>TriCast, Inc</b>          P.O. BOX 943          SELMA, NC 27576          PH: (919) 936-2629 FAX: (919) 936-0520          EMAIL: tricast-inc@hotmail.com</p>
<p><b>ITEM: 12" TALL OVAL METER BOX &amp; LID</b></p>
<p><b>PART # MS - MBX -1 TR</b></p>
<p><b>MATERIAL SPEC: GREY IRON ASTM A48 CLASS 35B</b></p>
<p><b>LOAD RATING:</b></p>