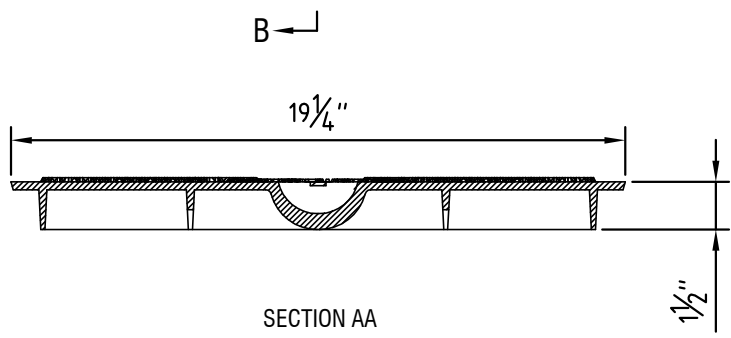
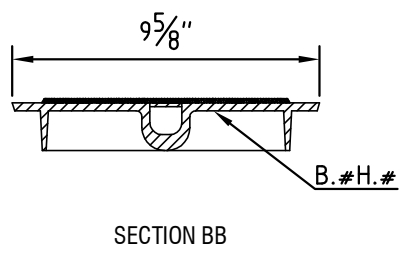


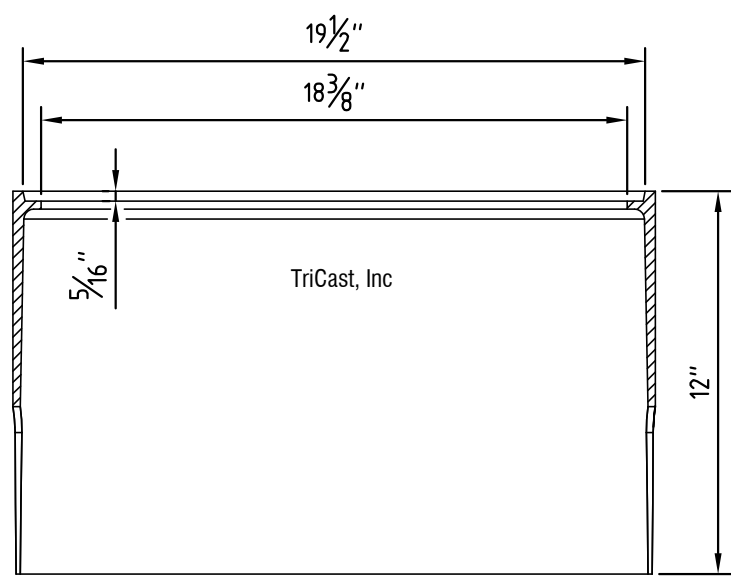
TriCast, Inc



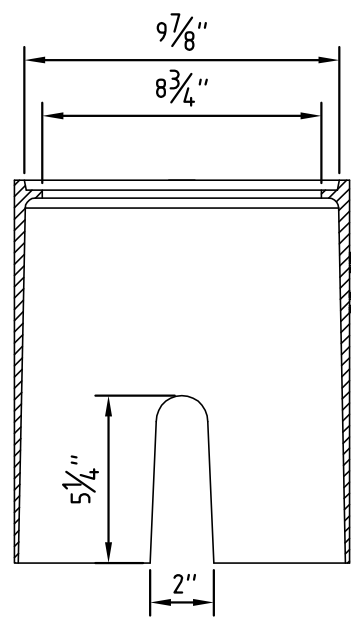
SECTION AA



SECTION BB



SECTION AA



SECTION BB

<p>TriCast, Inc P.O. BOX 943 SELMA, NC 27576 PH: (919) 936-2629 FAX: (919) 936-0520 EMAIL: tricast-inc@hotmail.com</p>
<p>ITEM: 12" TALL OVAL METER BOX & LID</p>
<p>PART # MS MBX 1</p>
<p>MATERIAL SPEC: GREY IRON ASTM A48 CLASS 35B</p>
<p>LOAD RATING:</p>