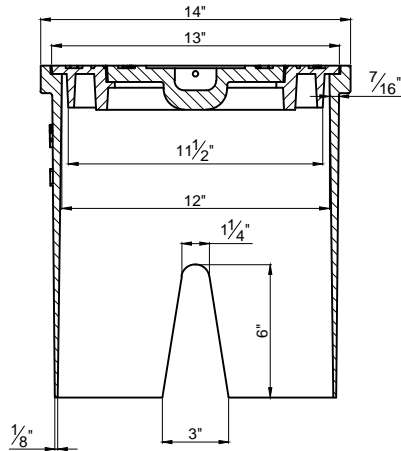


SECTION " A - A "



SECTION " B - B "



B.O.M. - Ø 1/4" X 1 3/8" LONG STEEL PIN 1 NO.

**TriCast, Inc.**  
 ( A DIVISION OF MASONRY SUPPLY )

P.O. BOX 943  
 SELMA, NC 27576  
 PH: (919) 936-2629 FAX: (919) 936-0520  
 EMAIL: tricast-inc@hotmail.com

ITEM: WINSTON-SALEM LARGE METER BOX AND LID

PART # MSMBX 258

MATERIAL SPEC: GREY IRON ASTM A48 CLASS 35B

LOAD RATING: H-20 / HS-20 SPECIFICATIONS