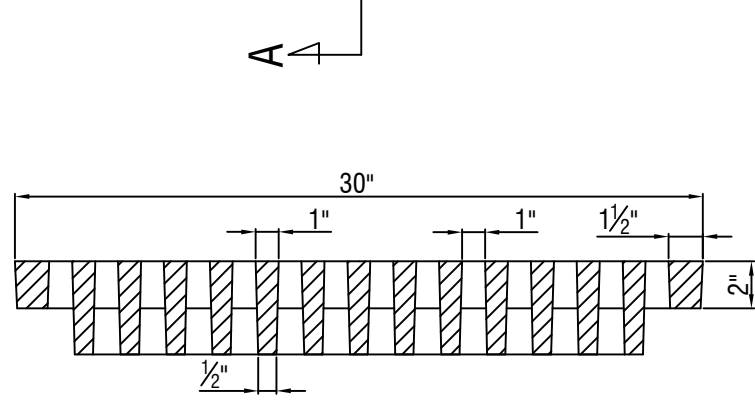
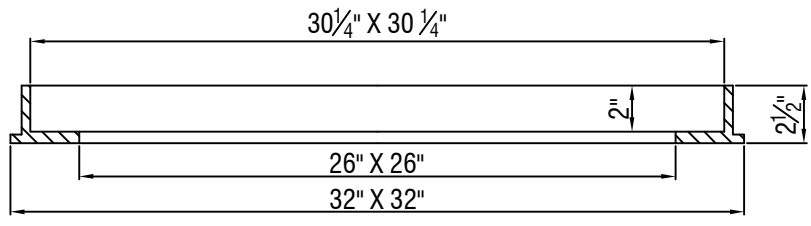


SECTION ON 'A-A'



SECTION ON 'B-B'



TriCast, Inc P.O. BOX 943 SELMA, NC 27576 PH: (919) 936-2629 FAX: (919) 936-0520 EMAIL: tricast-inc@hotmail.com	
ITEM: 30" x 30" STANDARD FRAME AND GRATE	
PART # MS DI - I	
MATERIAL SPEC: GREY IRON ASTM A48 CLASS 35B	
LOAD RATING: HEAVY DUTY HS - 20	