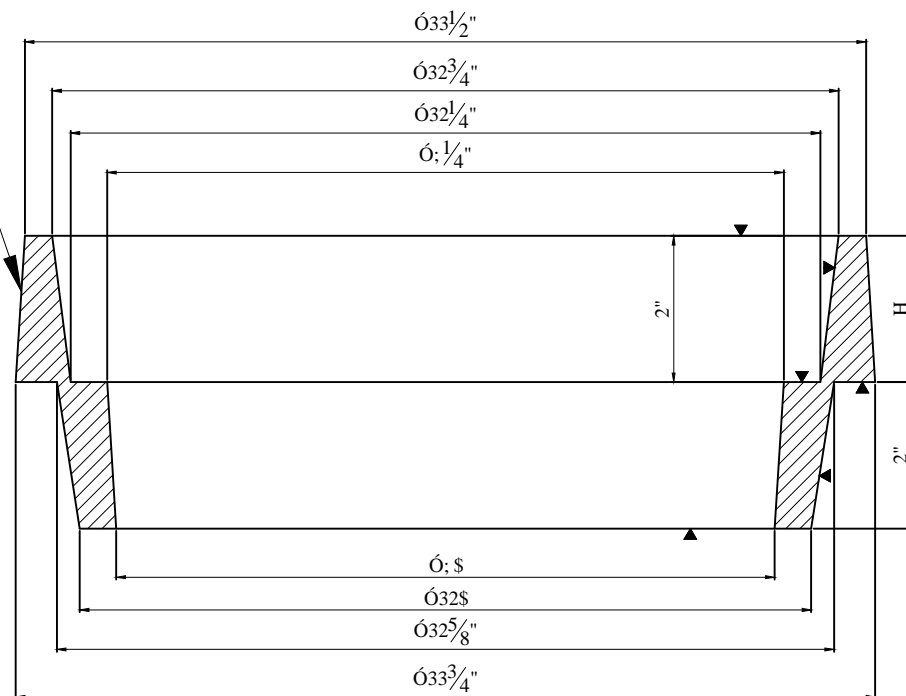


INDIA



SECTION " A - A "

B - 1140 RISER	
ITEM	" H "
1½" RISER	1½"
2" RISER	2"

TriCast, Inc.
 (A DIVISION OF MASONRY SUPPLY)

P.O. BOX 943
 SELMA, NC 27576
 PH: (919) 936-2629 FAX: (919) 936-0520
 EMAIL: tricast-inc@hotmail.com

ITEM: B 1140 RISER

PART #

MATERIAL SPEC: GREY IRON ASTM A48 CLASS 35B

LOAD RATING: H-20 / HS-20 SPECIFICATIONS