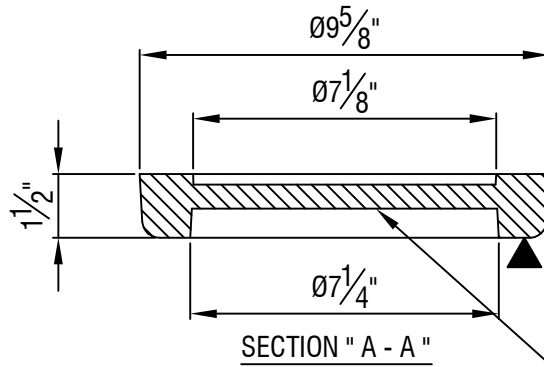
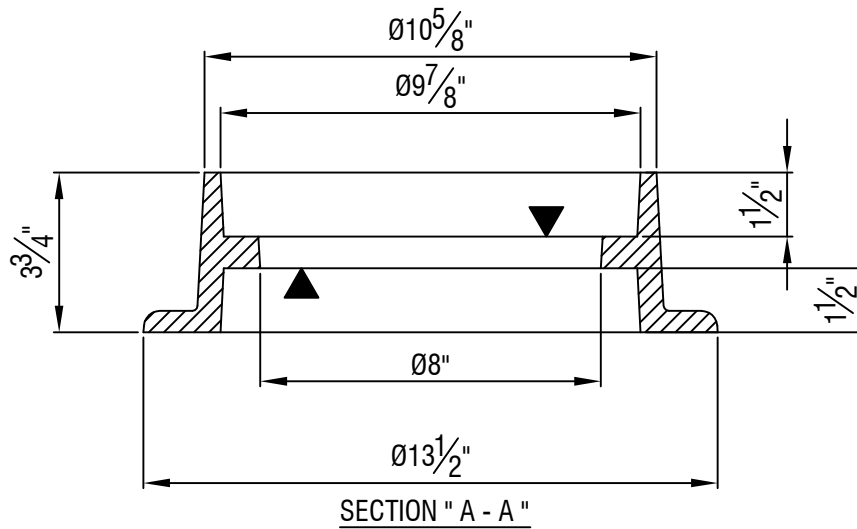


2 NOS. PENERTING PICKHPLES



ASTM A48 CLASS 35B, B.# H.#,
DRG #,  



<p>TriCast, Inc P.O. BOX 943 SELMA, NC 27576 PH: (919) 936-2629 FAX: (919) 936-0520 EMAIL: tricast-inc@hotmail.com</p>
<p>ITEM: 4" TALL TRAFFIC CLEANOUT FRME AND COVER</p>
<p>PART # VB 7621</p>
<p>MATERIAL SPEC: GREY IRON ASTM A48 CLASS 35B</p>
<p>LOAD RATING: HEAVY DUTY HS - 20</p>