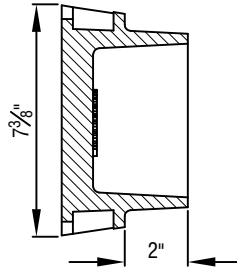
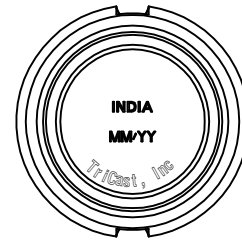


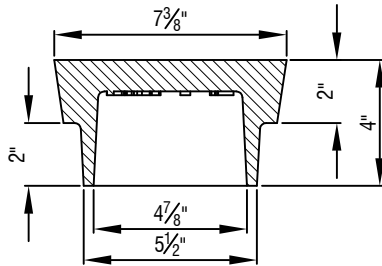
VBCHARLOTL



SECTION " B - B "

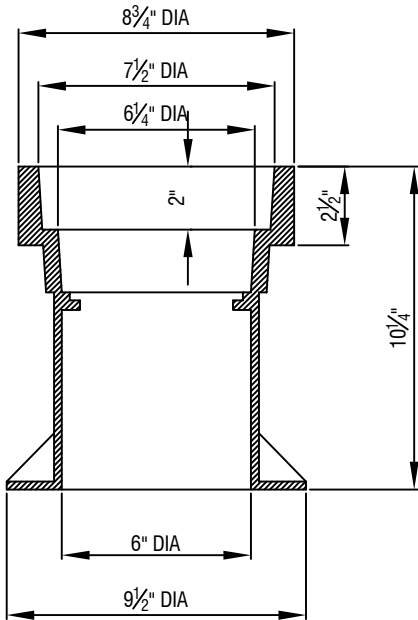


BOTTOM VIEW

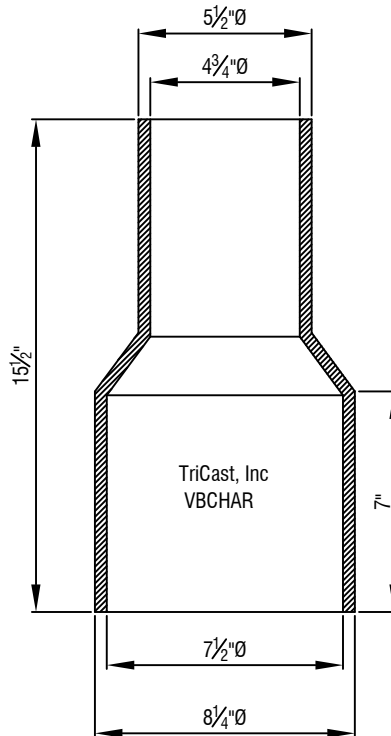


SECTION " A - A "

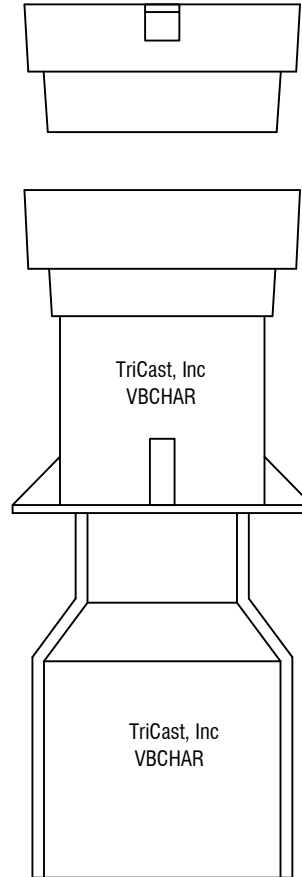
LID



TOP



BOTTOM



APPROXIMATE WEIGHT LID = 19.0 LBS
 TOP = 31.0 LBS
 BOTTOM = 35.0 LBS
 TOTAL = 85.0 LBS

<p>TriCast, Inc P.O. BOX 943 SELMA, NC 27576 PH: (919) 936-2629, FAX: (919) 936-0520 EMAIL:tricast-inc@hotmail.com</p>
<p>ITEM: CHARLOTTE VALVE BOX AND LID</p>
<p>PART # MSVB - 282</p>
<p>MATERIAL SPEC: GREY IRON ASTM A48 CLASS 35B</p>
<p>LOAD RATING · HEAVY DUTY - HS - 20</p>