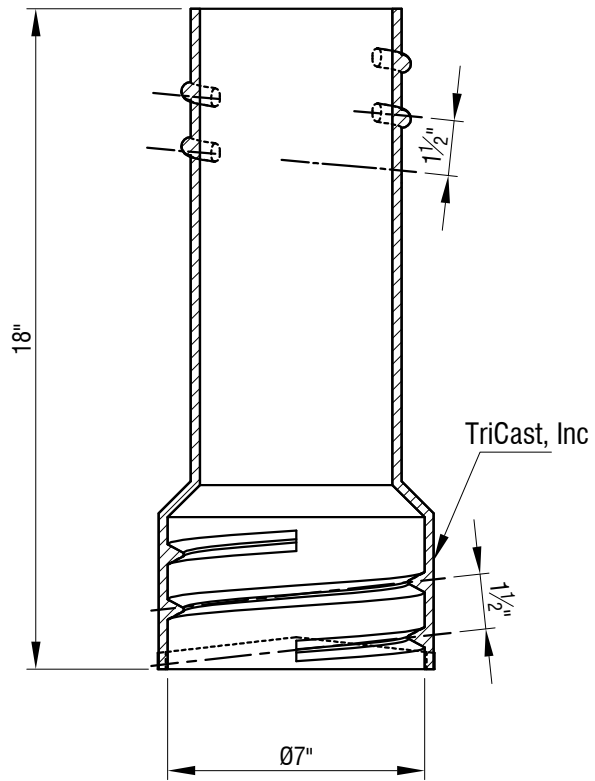


SIDE VIEW



SECTION - " A - A "

| |
|---|
| <p>TriCast, Inc P.O. BOX 943 SELMA, NC 27576 PH: (919) 936-2629 FAX: (919) 936-0520 EMAIL: tricast-inc@hotmail.com</p> |
| <p>ITEM: # 58 - S MIDDLE EXTENSION</p> |
| <p>PART # MSVB - MID - 58</p> |
| <p>MATERIAL SPEC: GREY IRON ASTM A48 CLASS 35B</p> |
| <p>LOAD RATING:</p> |