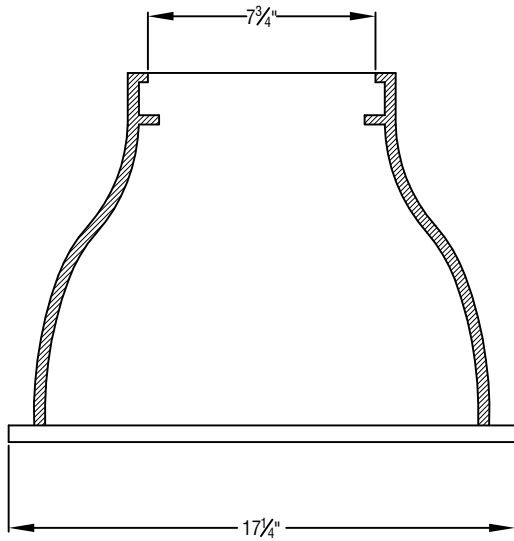
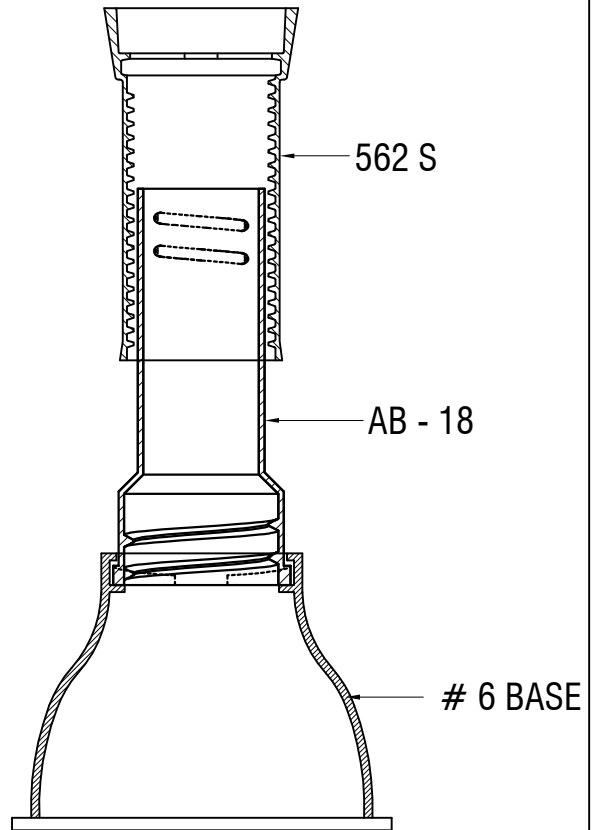


SECTION " B - B "



SECTION " A - A "



ASSEMBLY OF
6 BASE, AB - 18 EXTN & 562 - S

<p>TriCast, Inc P.O. BOX 943 SELMA, NC 27576 PH: (919) 936-2629 FAX: (919) 936-0520 EMAIL: tricast-inc@hotmail.com</p>
<p>ITEM: #6 VALVE BOX BASE SECTION</p>
<p>PART # 6 NO BASE</p>
<p>MATERIAL SPEC: GREY IRON ASTM A48 CLASS 35B</p>
<p>LOAD RATING:</p>