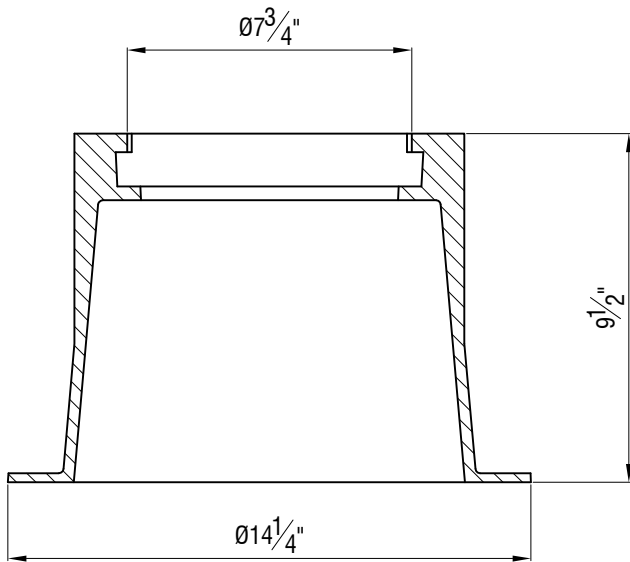
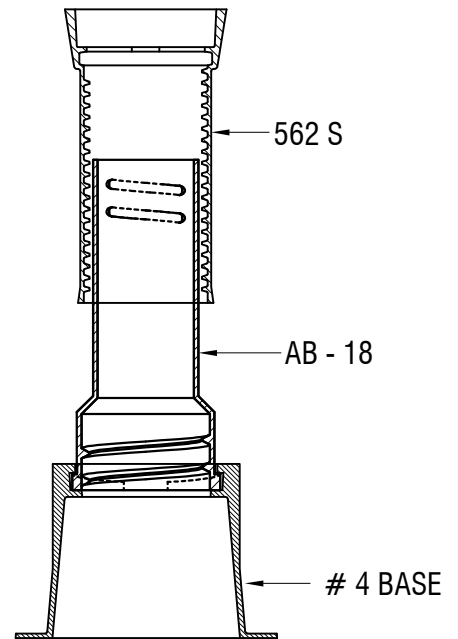


SECTION " B - B "



SECTION " A - A "



ASSEMBLY OF  
# 4" BASE, AB - 18 EXTN & 562 - S

<p><b>TriCast, Inc</b>  P.O. BOX 943  SELMA, NC 27576  PH: (919) 936-2629 FAX: (919) 936-0520  EMAIL: tricast-inc@hotmail.com</p>
<p>ITEM: #4 VALVE BOX BASE SECTION</p>
<p>PART # 4 NO BASE</p>
<p>MATERIAL SPEC: GREY IRON ASTM A48 CLASS 35B</p>
<p>LOAD RATING:</p>