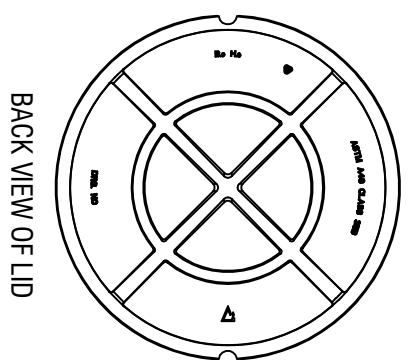
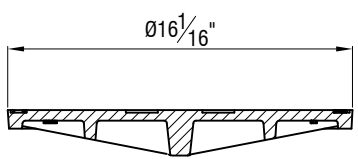
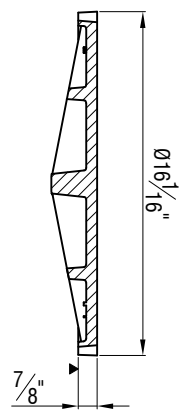


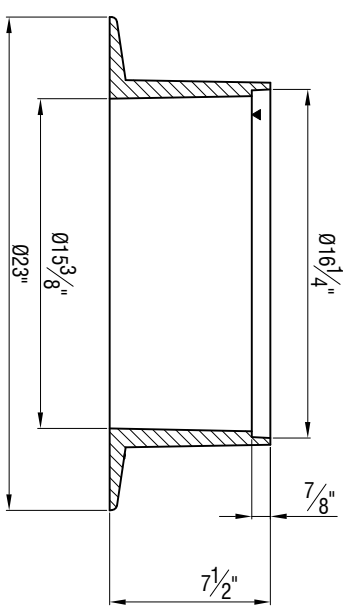
SECTION " B - B "



BACK VIEW OF LID



SECTION " A - A "



SECTION " A - A "

<p><b>Tricast, Inc</b>          P.O. BOX 943          SELMA, NC 27576          PH: (919) 936-2629 FAX: (919) 936-0520          EMAIL: <a href="mailto:tricast-inc@hotmail.com">tricast-inc@hotmail.com</a></p>	
<p><b>ITEM: WILMINGTON MONUMENT BOX &amp; LID</b></p>	
<p><b>PART # MSVB - 3440</b></p>	
<p><b>MATERIAL SPEC: GREY IRON ASTM A48 CLASS 35B</b></p>	
<p><b>LOAD RATING: HEAVY DUTY - HS - 20</b></p>	