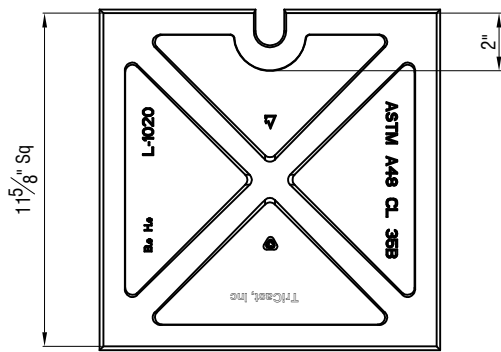
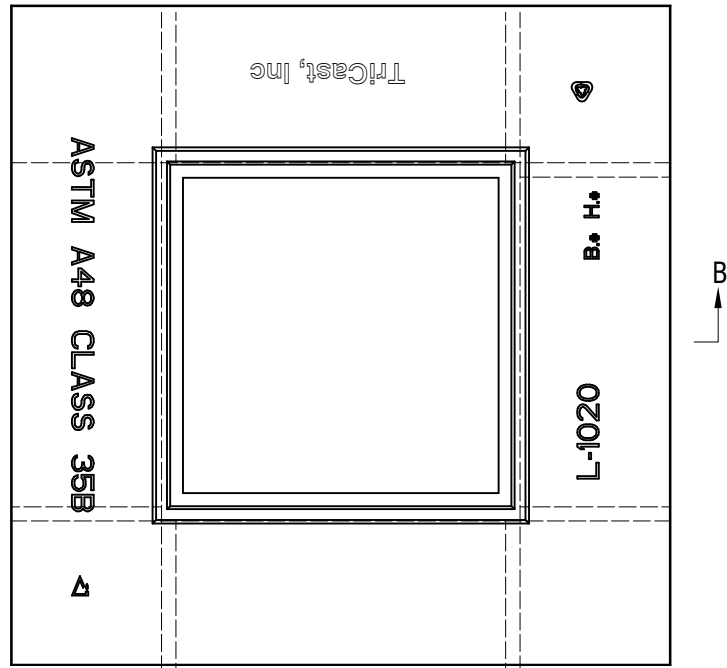
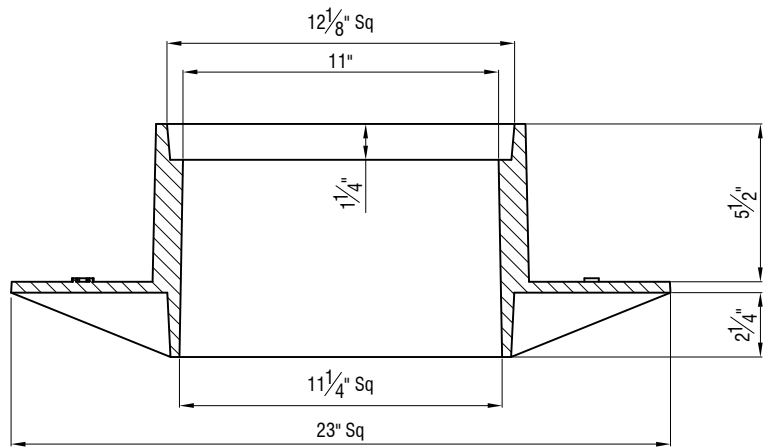


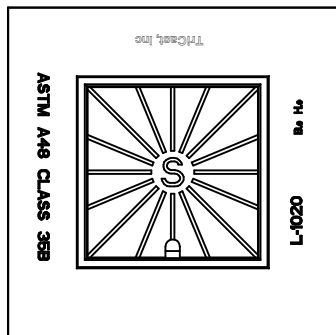
SECTION " A - A "



BACK VIEW OF COVER



SECTION " B - B "



ASSEMBLY VIEW

<p><b>TriCast, Inc</b>          P.O. BOX 943          SELMA, NC 27576          PH: (919) 936-2629 FAX: (919) 936-0520          EMAIL: tricast-inc@hotmail.com</p>
<p><b>ITEM: MAINLINE CLEANOUT BOX AND LID</b></p>
<p><b>PART # MSL 1020</b></p>
<p><b>MATERIAL SPEC: GREY IRON ASTM A48 CLASS 35B</b></p>
<p><b>LOAD RATING: HEAVY DUTY HS - 20</b></p>