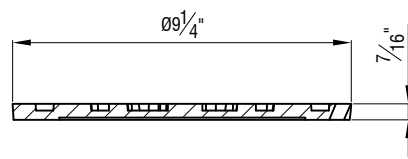
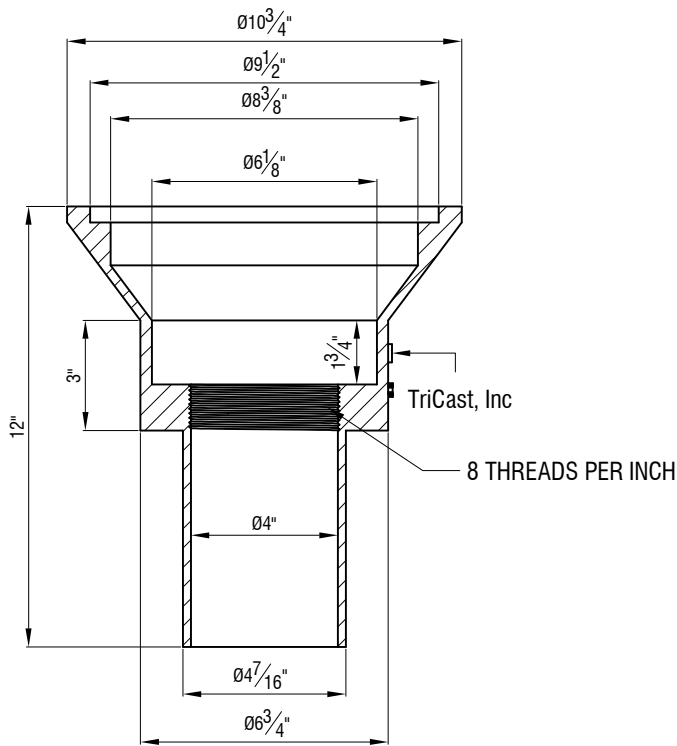


LID



SECTION " A - A "



<p>TriCast, Inc P.O. BOX 943 SELMA, NC 27576 PH: (919) 936-2629 FAX: (919) 936-0520 EMAIL: tricast-inc@hotmail.com</p>
<p>ITEM: VIRGINA BEACH HOUSE LATERAL CLEANOUT</p>
<p>PART # MS - 110T VB</p>
<p>MATERIAL SPEC: GREY IRON ASTM A48 CLASS 30B</p>
<p>LOAD RATING:</p>