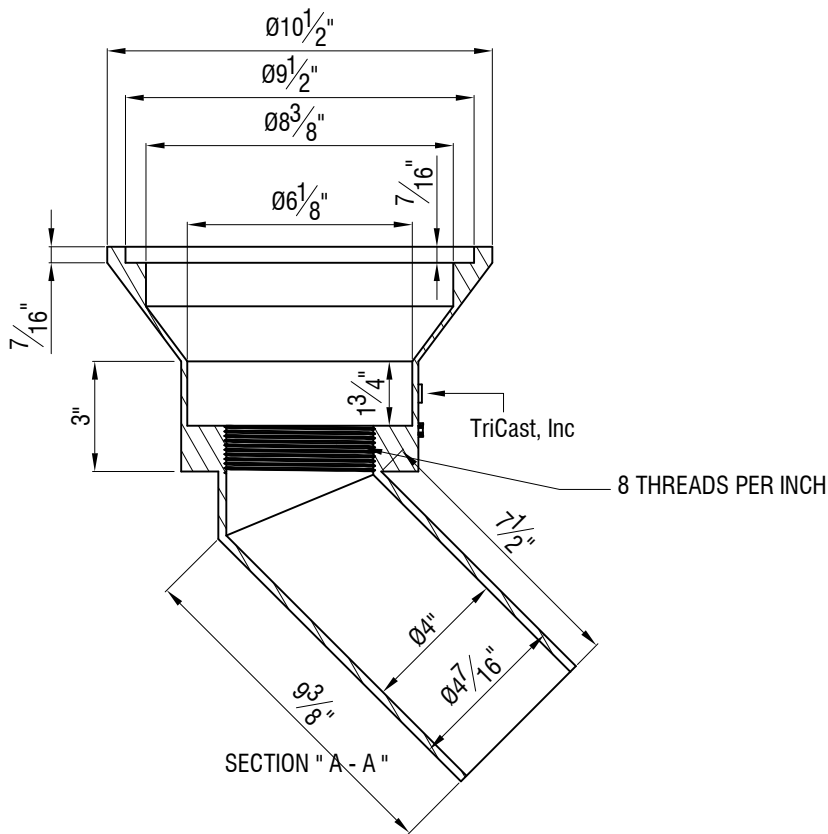


SECTION " A - A "



SECTION " A - A "

<p><b>TriCast, Inc</b>          P.O. BOX 943          SELMA, NC 27576          PH: (919) 936-2629    FAX: (919) 936-0520          EMAIL: tricast-inc@hotmail.com</p>
<p><b>ITEM: VIRGINA BEACH HOUSE LATERAL CLEANOUT</b></p>
<p><b>PART # MS - 110T N</b></p>
<p><b>MATERIAL SPEC: GREY IRON ASTM A48 CLASS 35B</b></p>
<p><b>LOAD RATING:</b></p>