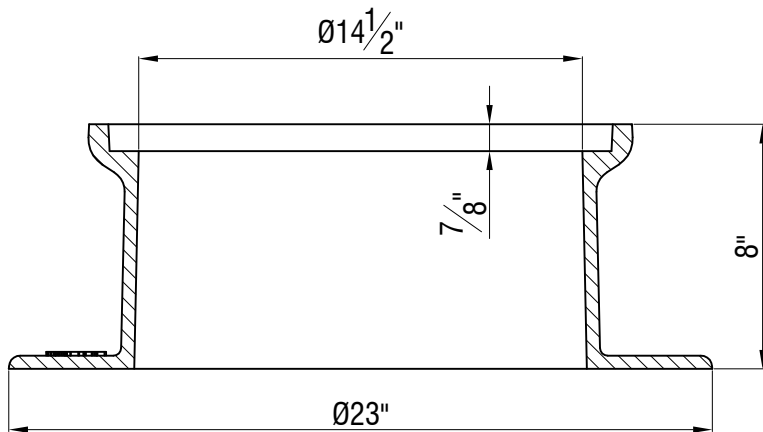
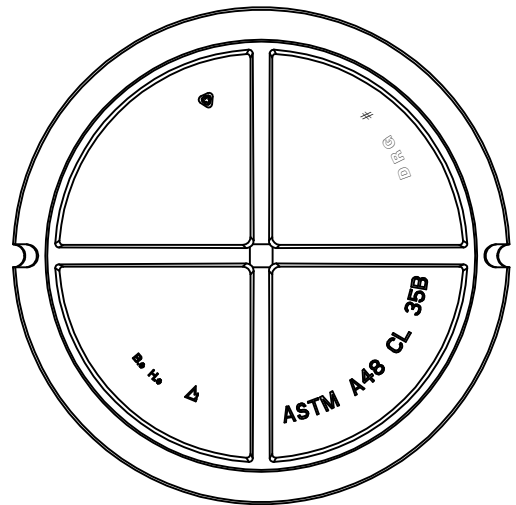


SECTION "A - A"



SECTION "A - A"



BOTTOM VIEW OF LID

<p>TriCast, INC P.O. BOX 943 SELMA, NC 27576 PH: (919) 936-2629 FAX: (919) 936-0520 EMAIL: tricast-inc@hotmail.com</p>
<p>ITEM: AIR VENT / BLOW OFF FRAME & COVER</p>
<p>PART # MS - MB 1200 W</p>
<p>MATERIAL SPEC: GREY IRON ASTM A48 CLASS 35B</p>
<p>LOAD RATING: HEAVY DUTY HS - 20</p>