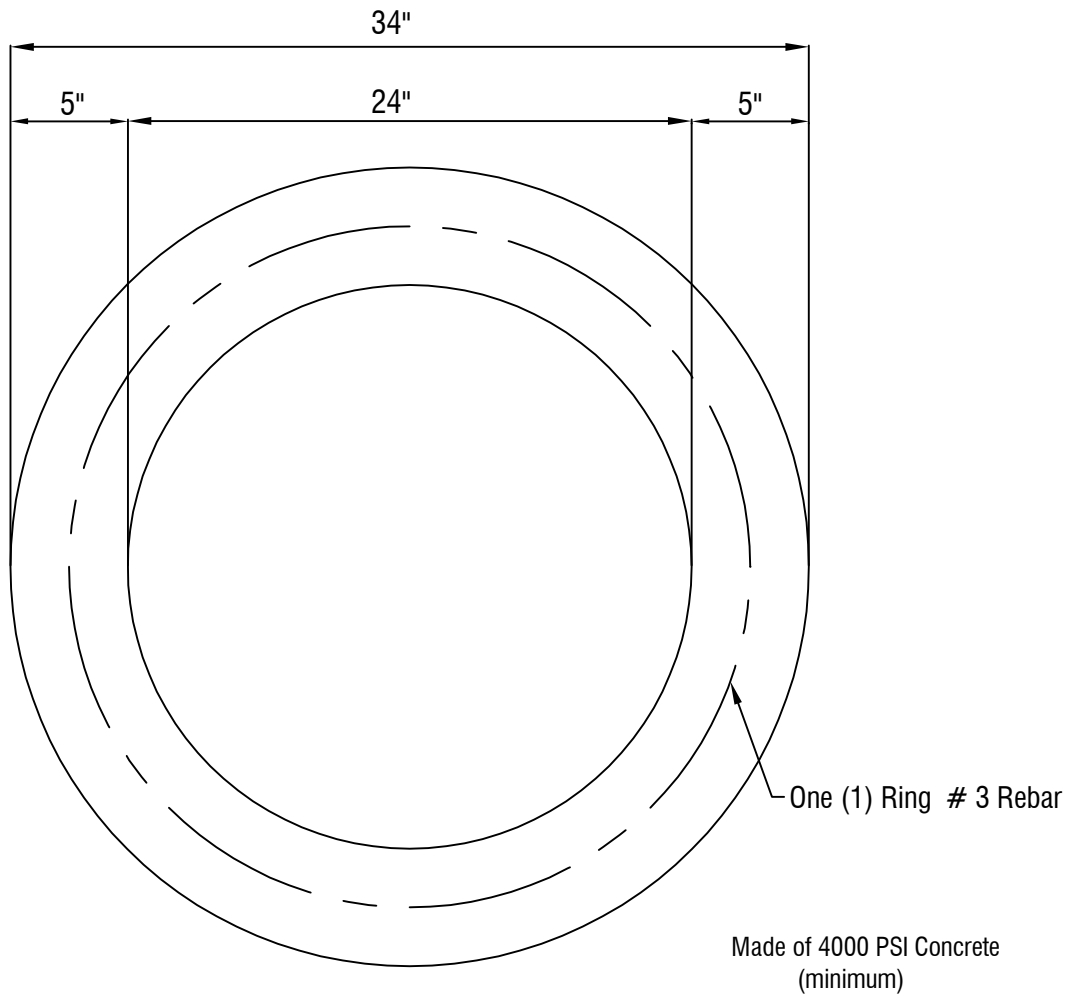
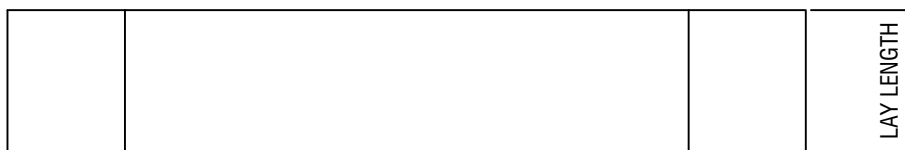


**PRECAST CONCRETE MANHOLE ADJUSTING RINGS
(RISER OR GRADE RINGS)**



PLAN VIEW



ELEVATION VIEW

Lay Length	Packing Quantity	Part #
2"	15	M2IN MHG R
4"	8	M4IN MHG R
6"	6	M6IN MHG R

<p>Masonry Supply, Inc P.O. BOX 943 SELMA, NC 27576 PH: (919) 351-4014 (office), (919) 291-8761 (cell) FAX: (919) 351-4047 EMAIL: masonrysupply@hotmail.com</p>
<p>ITEM: PRECAST CONCRETE MANHOLE ADJUSTING RINGS</p>
<p>PART # SEE INSERT</p>
<p>MATERIAL SPEC: A - 3 CONCRETE (4000 PSI @ 28 DAYS)</p>
<p>LOAD RATING: H - 20 LOAD RATED</p>