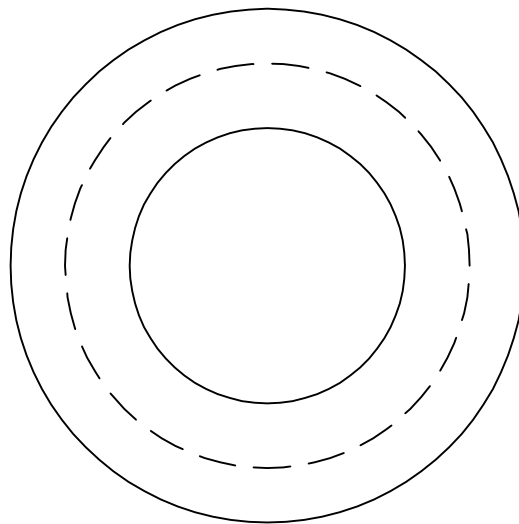
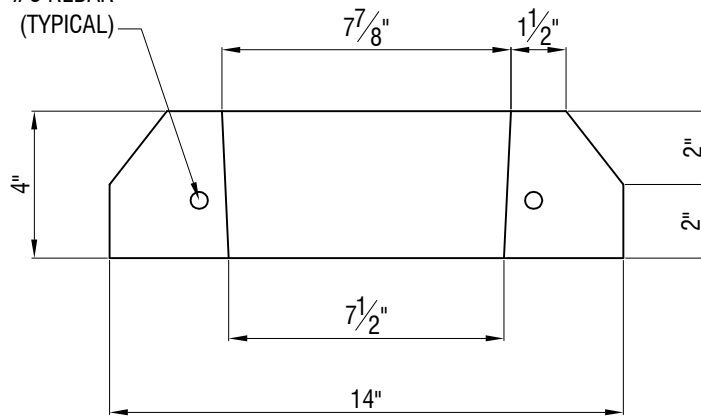


1 PC
#3 REBAR
(TYPICAL)



Masonry Supply, Inc

P.O. BOX 943

SELMA, NC 27576

PH: (919) 351-4014 (office), (919) 291-8761 (cell) FAX: (919) 351-4047

EMAIL: masonrysupply@hotmail.com

ITEM: PRECAST CONCRETE COLLAR FOR 6" SEWER CLEANOUT

PART # M6incSC

MATERIAL SPEC: A - 3 CONCRETE (4000 psi @28 DAYS)