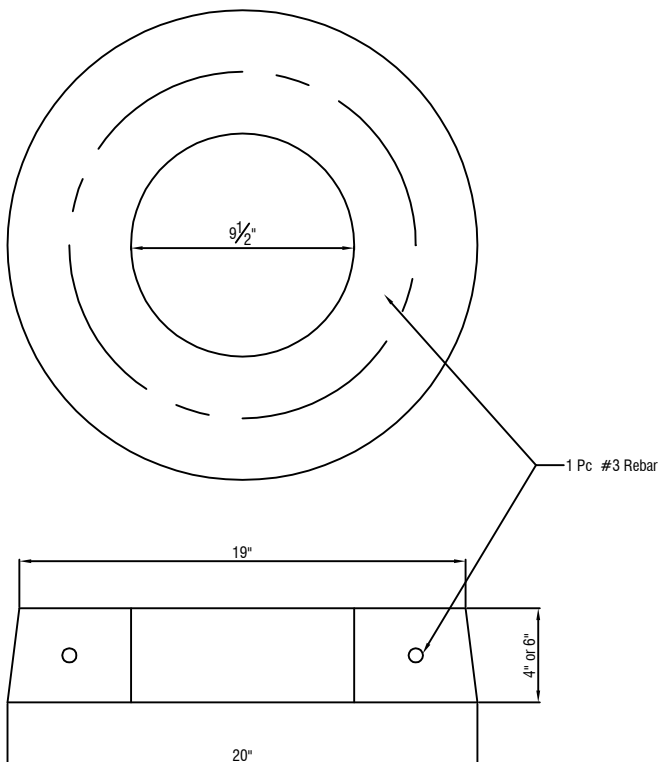
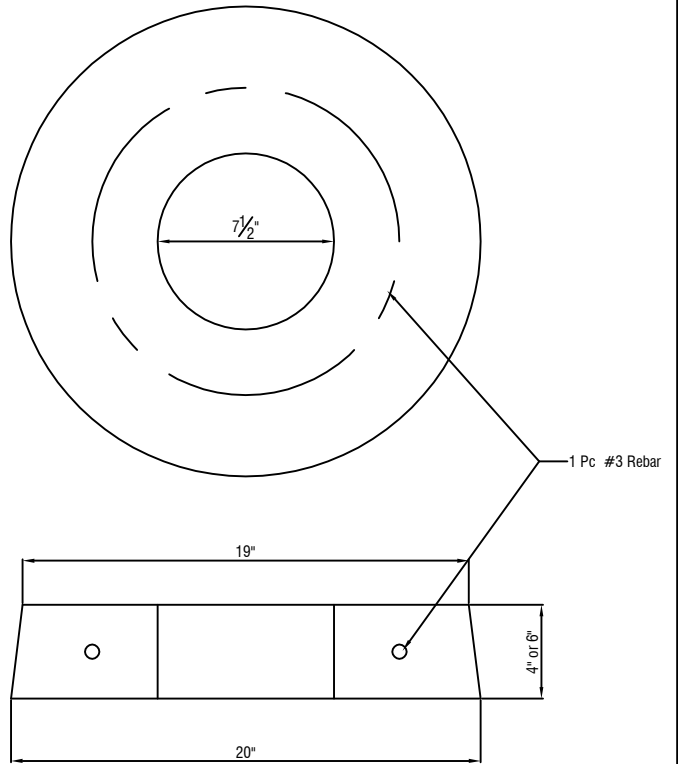
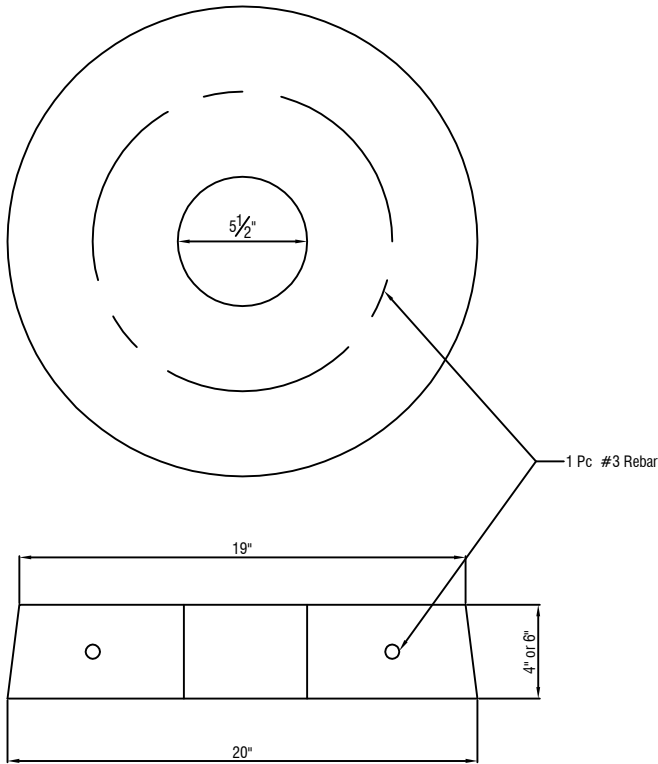


# CONCRETE SEWER CLEAN OUT COLLAR FOR A 4" PIPE



<p><b>Masonry Supply, Inc</b>                  P.O. BOX 943                  SELMA, NC 27576                  PH: (919) 351-4014 (office), (919) 291-8761 (cell) FAX: (919) 351-4047                  EMAIL: masonrysupply@hotmail.com</p>
<p>ITEM: CONCRETE SEWER CLEANOUT COLLAR FOR A 4" PIPE</p>
<p>PART # MSCSC</p>
<p>MATERIAL SPEC: A - 3 CONCRETE (4000 PSI @ 28 DAYS)</p>
<p> </p>