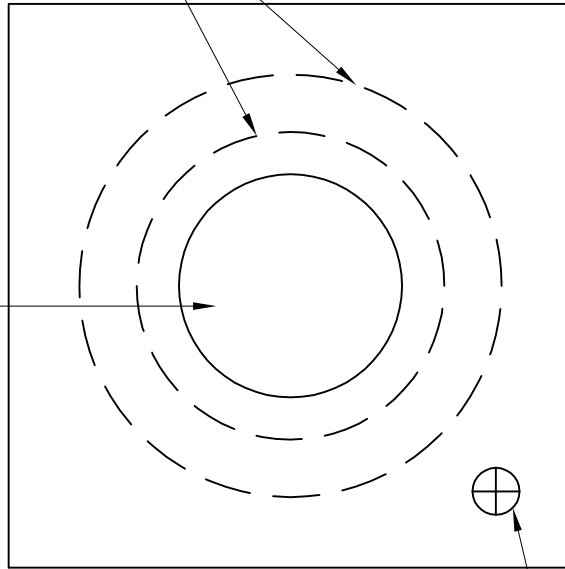


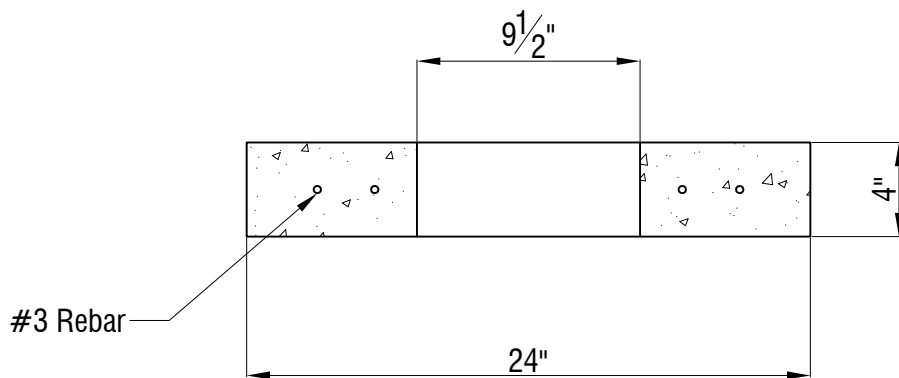
24" x 24" x 4" Concrete Pad
with (2) Continuous Pieces

#3 Rebar

9½" HOLE



¾" Bronze Disc
Anchored in Pad



#3 Rebar

<p>Masonry Supply, Inc P.O. BOX 943 SELMA, NC 27576 PH: (919) 351-4014 (office), (919) 291-8761 (cell) FAX: (919) 351-4047 EMAIL: masonrysupply@hotmail.com</p>
<p>ITEM: CONCRETE VALVE PAD W/IDENTIFICATION DISC</p>
<p>PART # MSVB24 - SQ W/BD</p>
<p>MATERIAL SPEC: A - 3 CONCRETE (4000 PSI @ 28 DAYS)</p>
<p>LOAD RATING:</p>