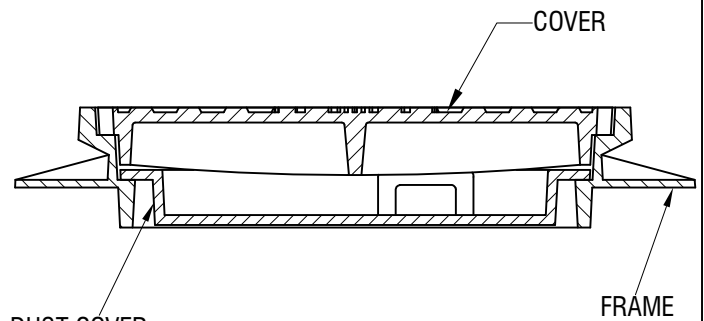
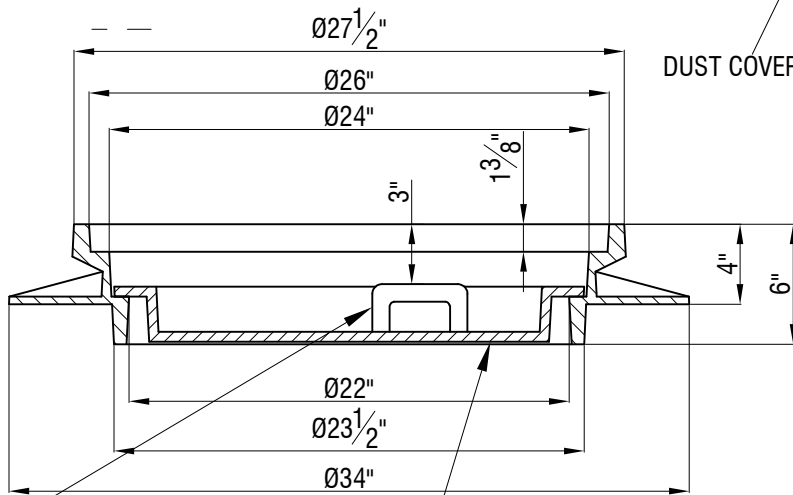


SECTION " A - A "

ASTM A48 CLASS 35B, C-21, TriCast, Inc.,  
INDIA, B.# H.#,



ASSEMBLY VIEW



DUST COVER FURNISHED WITH 2 NOS.  
Ø 7/8" HANDLES @180°. (AS CAST)

DUST COVER ½" THICK  
BY 23 1/2" DIAMETER.

SECTION " A - A "

<p><b>TriCast, Inc</b> P.O. BOX 943 SELMA, NC 27576 PH: (919) 936-2629 FAX: (919) 936-0520 EMAIL: tricast-inc@hotmail.com</p>
<p>ITEM: VERGINA BEACH FRAME &amp; COVER</p>
<p>PART # MS - MH C21 - SH</p>
<p>MATERIAL SPEC: GREY IRON ASTM A48 CLASS 35B</p>
<p>LOAD RATING: HEAVY DUTY HS - 20</p>