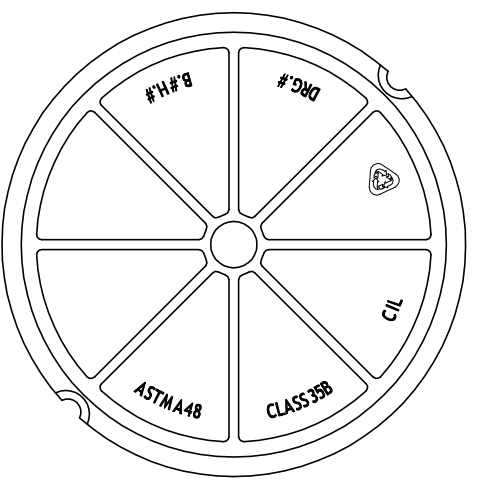
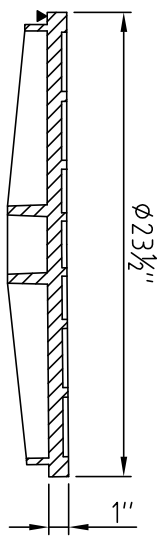
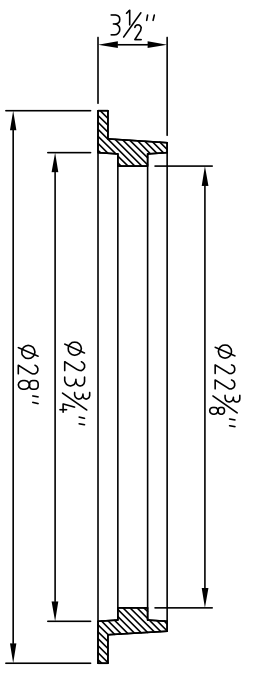
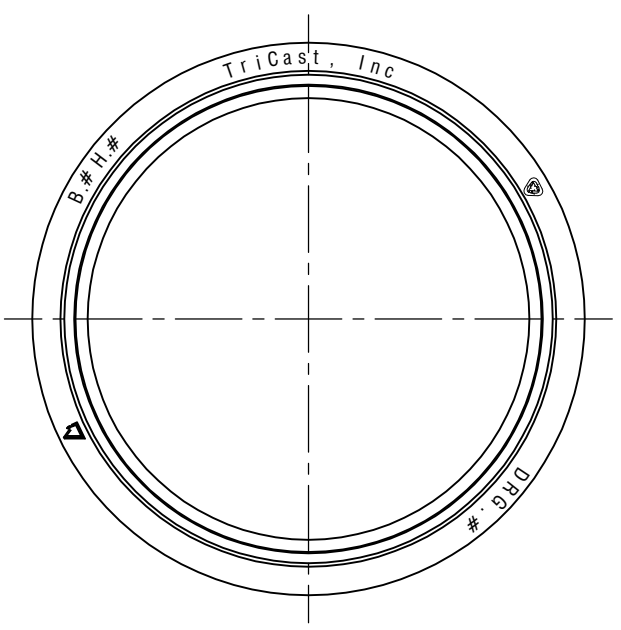


TOP VIEW



BACK VIEW



<p>TriCast, Inc P.O. BOX 943 SELMA, NC 27576 PH: (919) 936-2629 FAX: (919) 936-0520 EMAIL: tricast-inc@hotmail.com</p>
<p>ITEM: SHALLOW MANHOLE FRAME & COVER</p>
<p>PART # MS - MH - 17A</p>
<p>MATERIAL SPEC: GREY IRON ASTM A48 CLASS 35B</p>
<p>LOAD RATING: HEAVY DUTY - HS - 20</p>