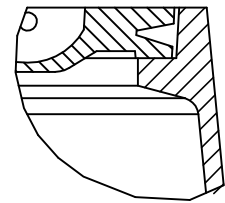
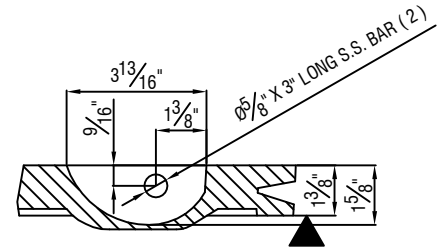
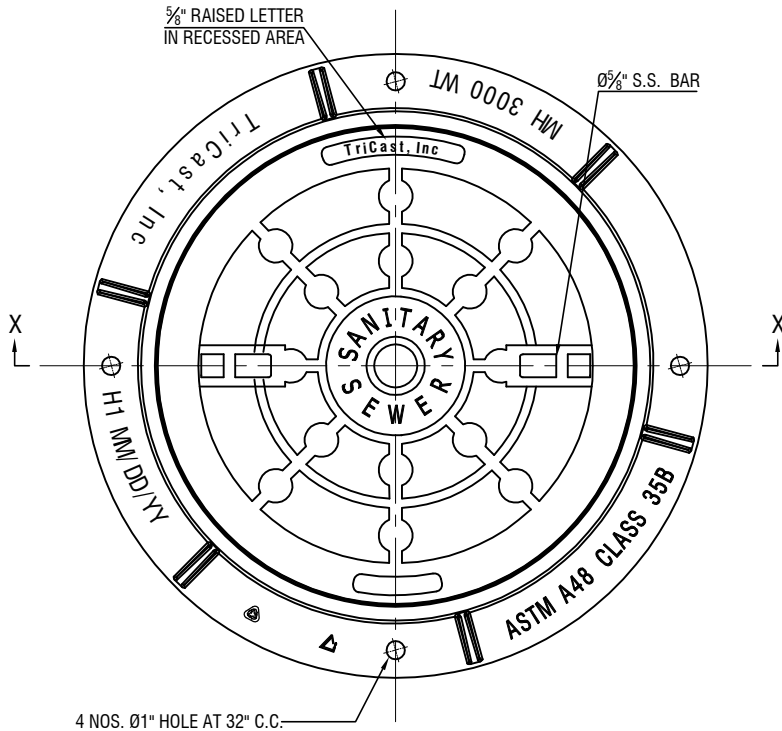
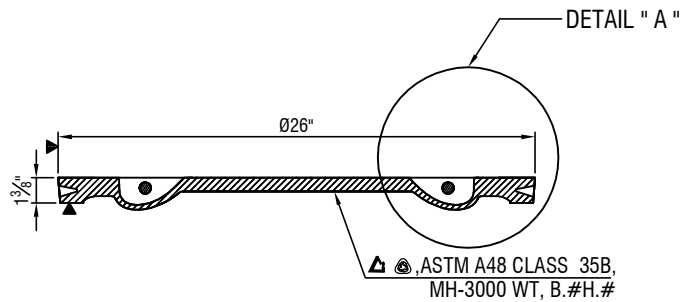


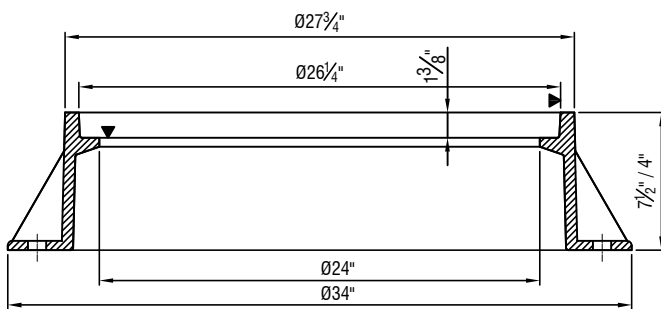
ALSO AVAILABLE MARKED  
"STORM SEWER" & "WATER"



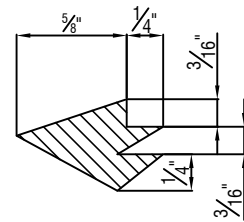
FRAME AND COVER  
MACHINED 10° BEVEL



COVER SECTION - XX



FRAME SECTION - XX



WATER TIGHT DETAIL  
( RUBBER GASKET )

**TriCast, Inc**

P.O. BOX 943  
SELMA, NC 27576  
PH: (919) 936-2629 FAX: (919) 936-0520  
EMAIL: tricast-inc@hotmail.com

ITEM: 24" WATERTIGHT FRAME & COVER W/SIDE SEAL GASKET

PART # MS MH 3000 WT

MATERIAL SPEC: GREY IRON ASTM A48 CLASS 35B

LOAD RATING: HEAVY DUTY - HS - 20