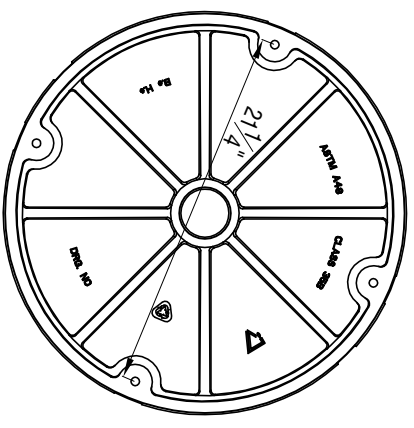
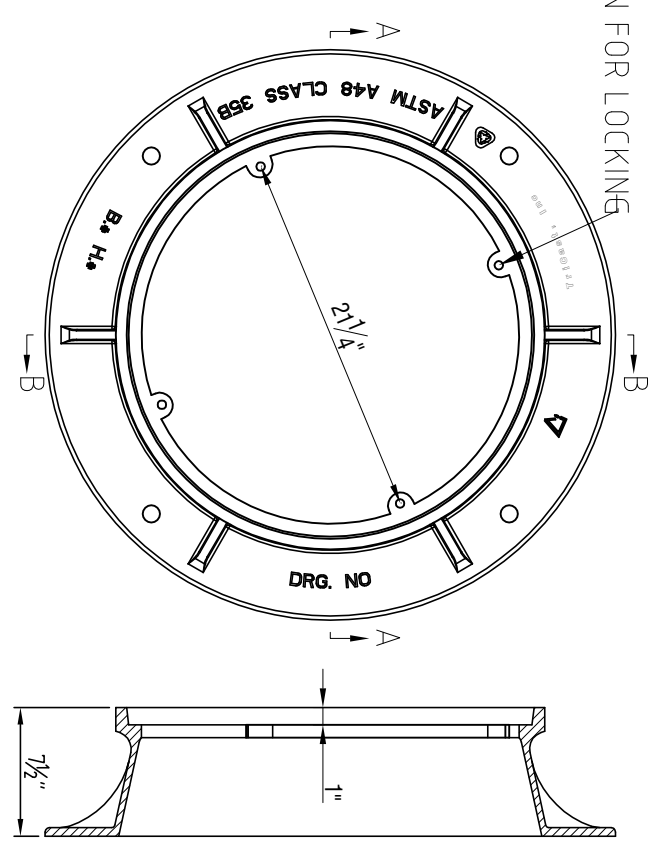
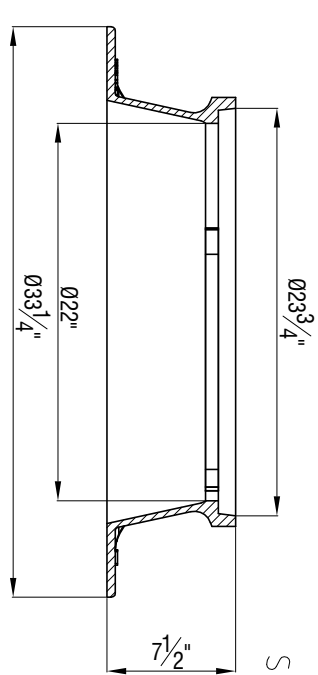


PROVISION FOR LOCKING



BACK VIEW OF COVER



BILL OF MATERIAL

SL. NO	ITEM DESCRIPTION	MATERIAL	NO. OF QTY.
1	1/2" DIA X 1 1/2" LONG BOLT FOR LOCKING	S.S.	4 NOS.
2	3/8" THICK FLAT GASKET	NEOPRENE	1 NO.

ITEM: STANDARD 2001 SERIES FRAME & COVER WITH BOLTED WATERTIGHT

PART # MH-2001-WT*0

MATERIAL SPEC: GREY IRON ASTM A48 CLASS 35B

LOAD RATING: H-20 / HS-20 SPECIFICATIONS

TriCast, Inc

P.O. BOX 943
 SELMA, NC 27576
 PH: (919) 936-2629 FAX: (919) 936-0520
 EMAIL: tricast-inc@hotmail.com