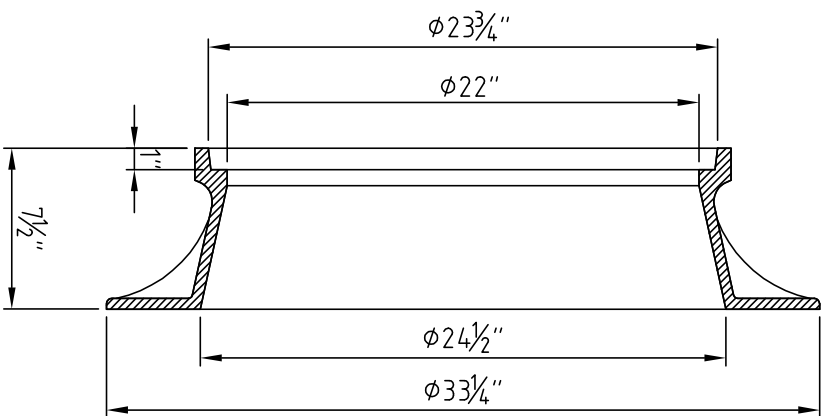
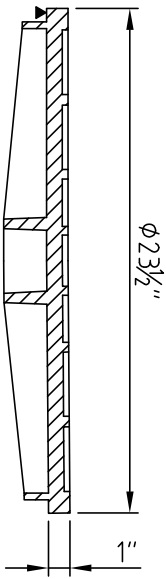


SECTION A-A



4 NOS. Ø1" HOLE
ON 29 1/2" P.C.D.

2 NOS.
PENETRATING
PICK HOLE

1" HIGH LETTER

<p>TricCast, Inc P.O. BOX 943 SELMA, NC 27576 PH: (919) 936-2629 FAX: (919) 936-0520 EMAIL: triccast-inc@hotmail.com</p>	
<p>ITEM: STANDARD 2001 SERIES FRAME & COVER</p>	
<p>PART # MH 2001-SS*0</p>	
<p>MATERIAL SPEC: GREY IRON ASTM A48 CLASS 35B</p>	
<p>LOAD RATING: H-20 / HS-20 SPECIFICATIONS</p>	