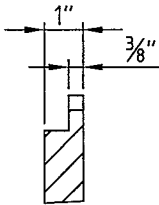
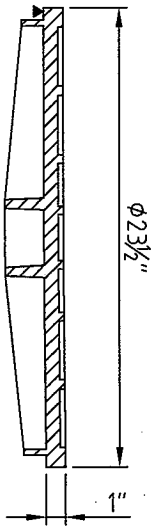
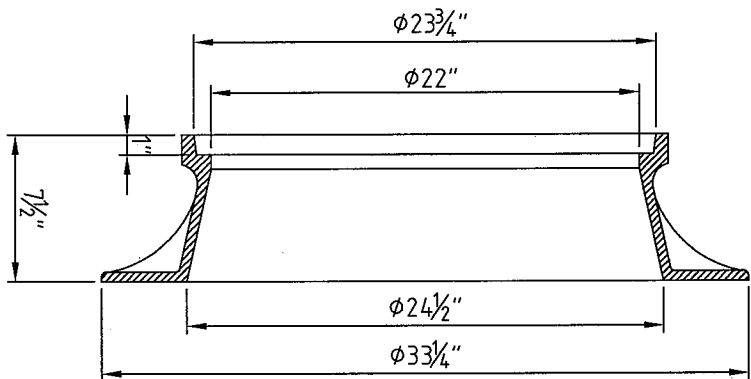
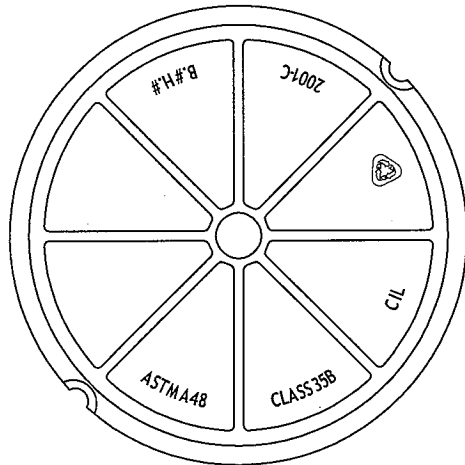


2 NOS. PENETRATING PICK HOLE



SECTION A-A

<p>Tricast, Inc P.O. BOX 943 SELMA, NC 27576 PH: (919) 936-2629 FAX: (919) 936-0520 EMAIL: tricast-inc@hotmail.com</p>
<p>ITEM: STANDARD 2001 SERIES FRAME & COVER</p>
<p>PART # MH 2001-SS*0</p>
<p>MATERIAL SPEC: GREY IRON ASTM A48 CLASS 35B</p>
<p>LOAD RATING: H-20 / HS-20 SPECIFICATIONS</p>