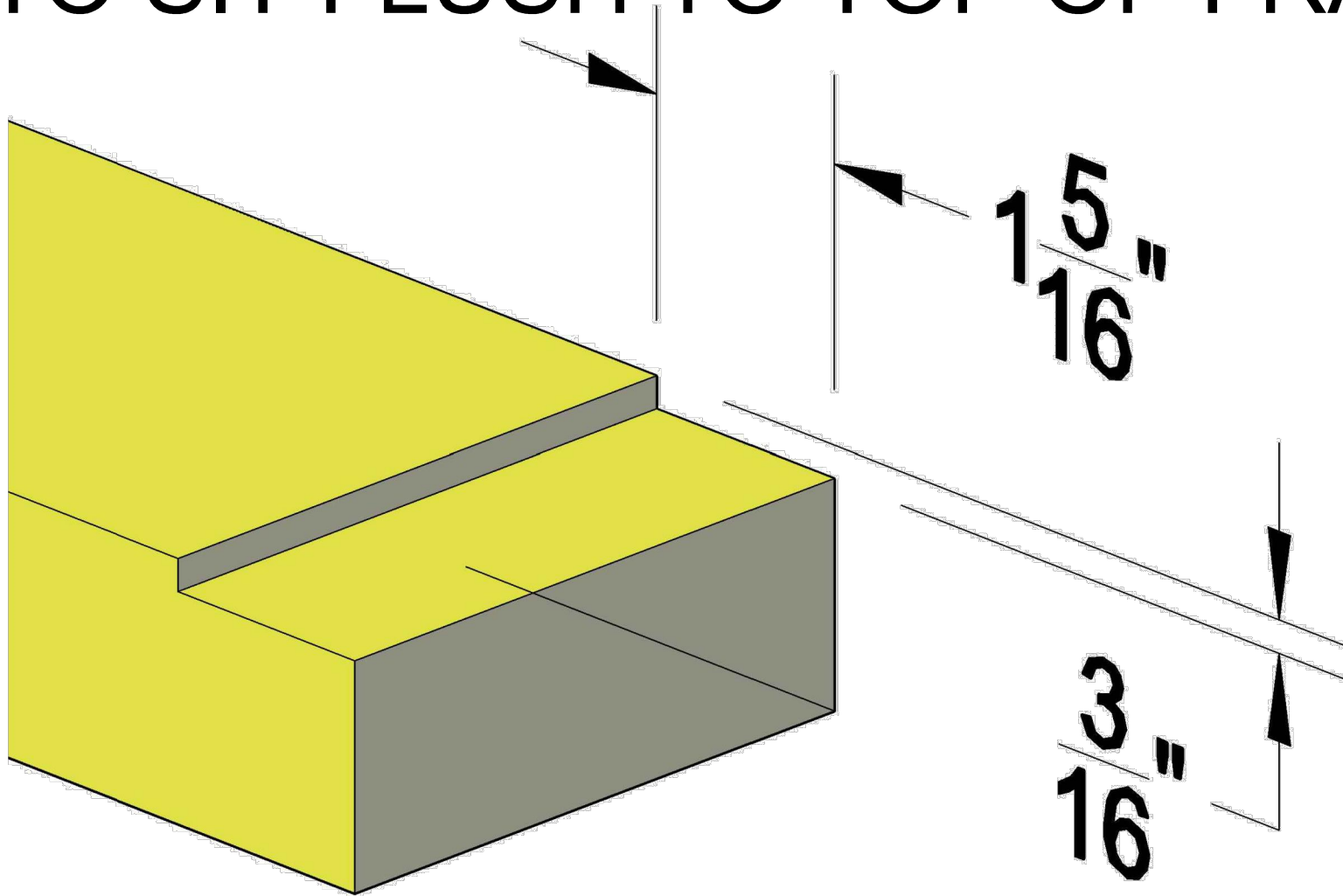
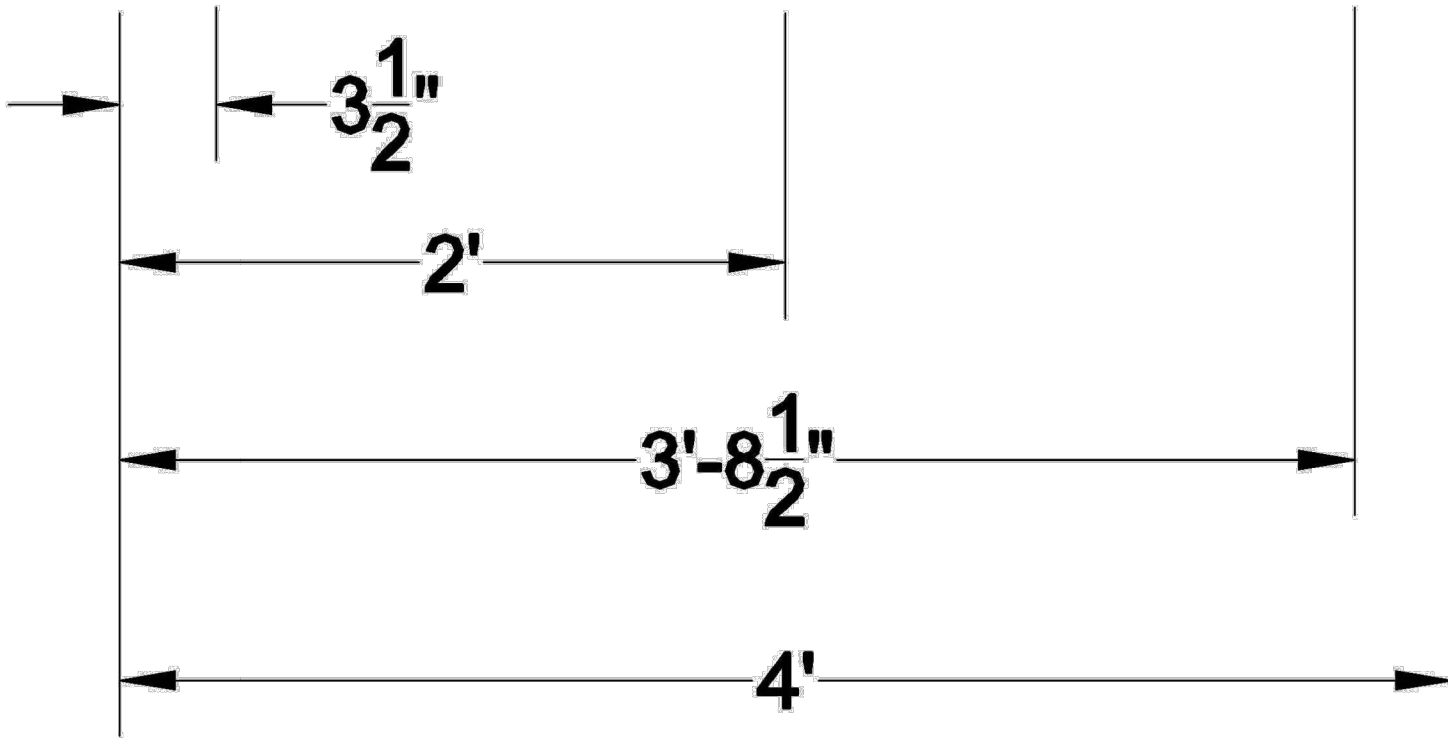
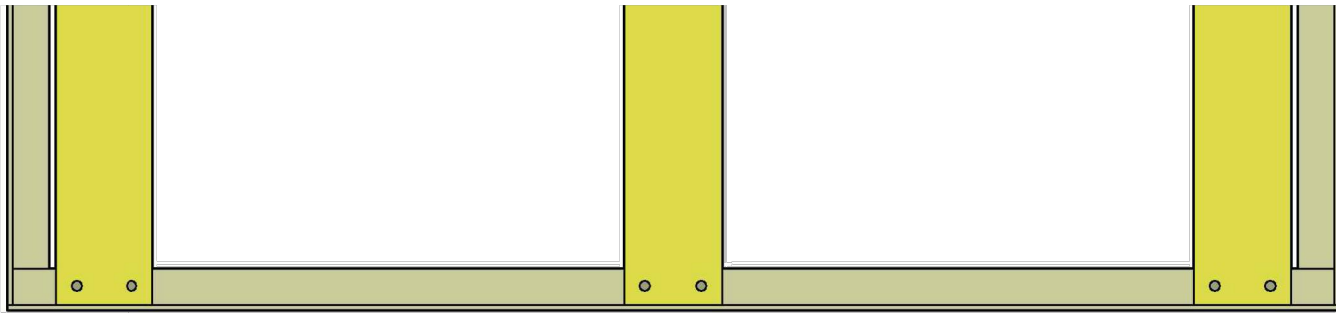


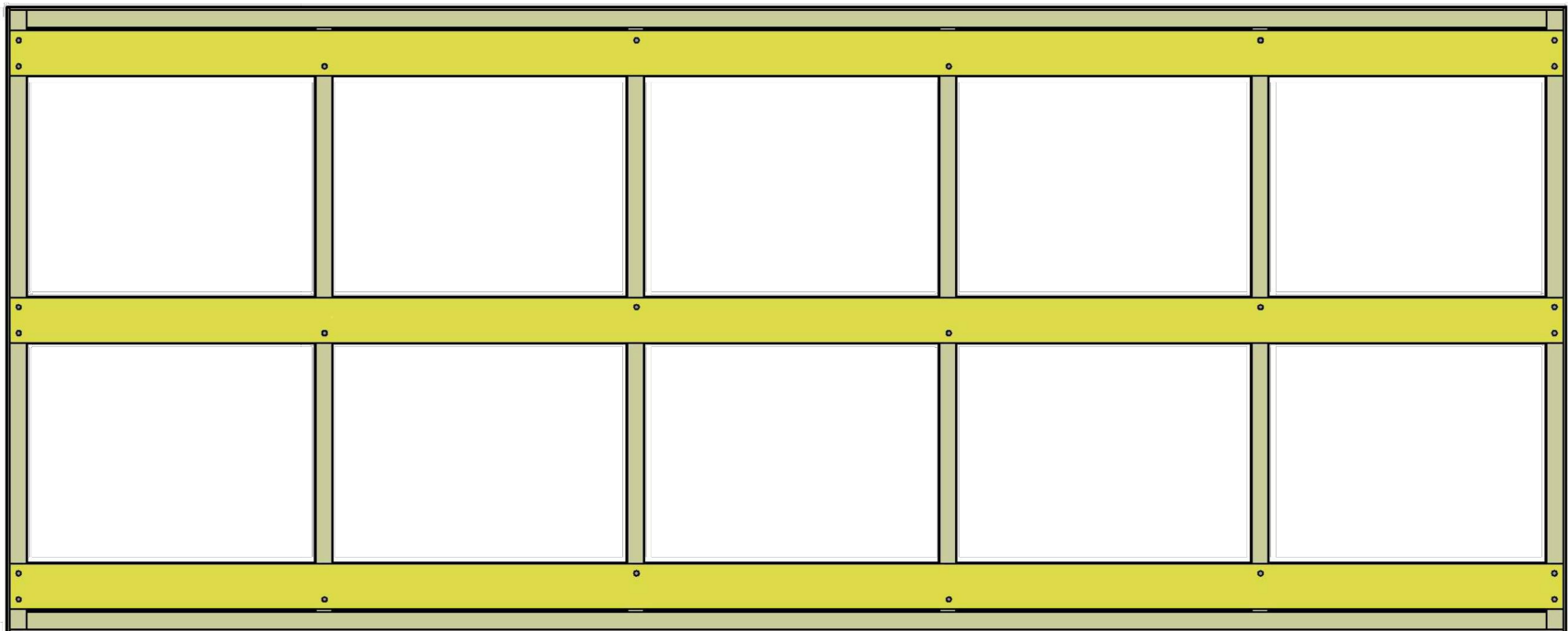
NOTCH END OF 2"X4" RUNNERS  
TO SIT FLUSH TO TOP OF FRAME



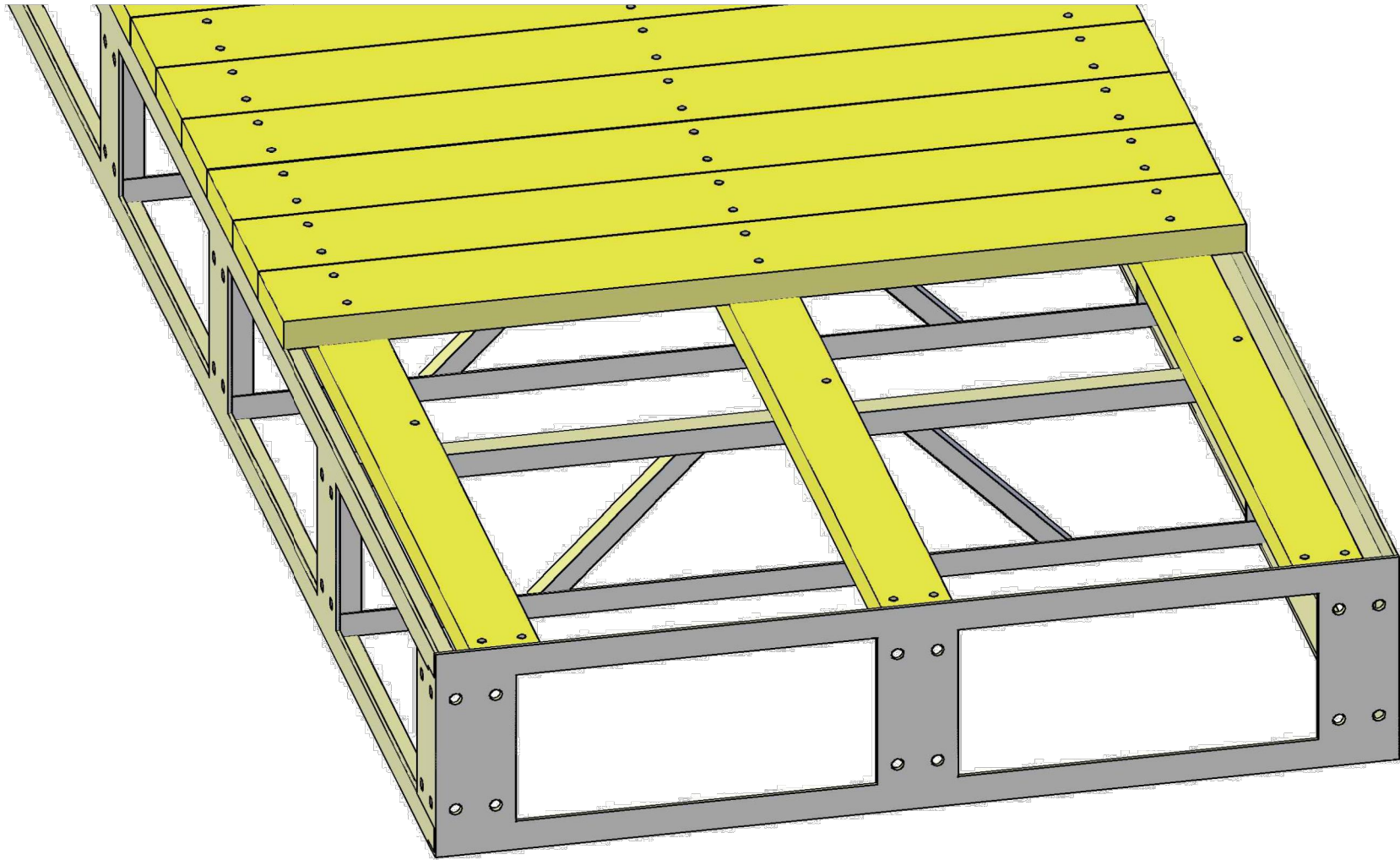
2"X4" RUNNERS ARE CUT  $\frac{3}{8}$ "  
SHORTER THAN FRAME LENGTH



TWO SCREWS ON EACH END  
AND ONE SCREW PER CROSS  
MEMBER ALTERNATING SIDES



# TWO SCREWS PER RUNNER



DECKING IS SECURED TO RUNNERS WITH 2-1/2" SCREWS FOR WOOD AND 2" SCREWS FOR COMPOSITE.