

## Sliding Doors & Doors with Panels Measuring Form

Take this worksheet to Albuquerque DIY Shower Doors to process your order.

Customer Name \_\_\_\_\_ Customer Phone # \_\_\_\_\_

Model # \_\_\_\_\_

Metal Color:  Chrome  Brushed Nickel  Oil Rubbed Bronze

Glass Type:  Clear  Pattern #62  Aquatex  Rain

Shower Head (looking from the outside) \_\_\_ Left \_\_\_ Right

Hinge Side \_\_\_ Left \_\_\_ Right

Special Instructions \_\_\_\_\_

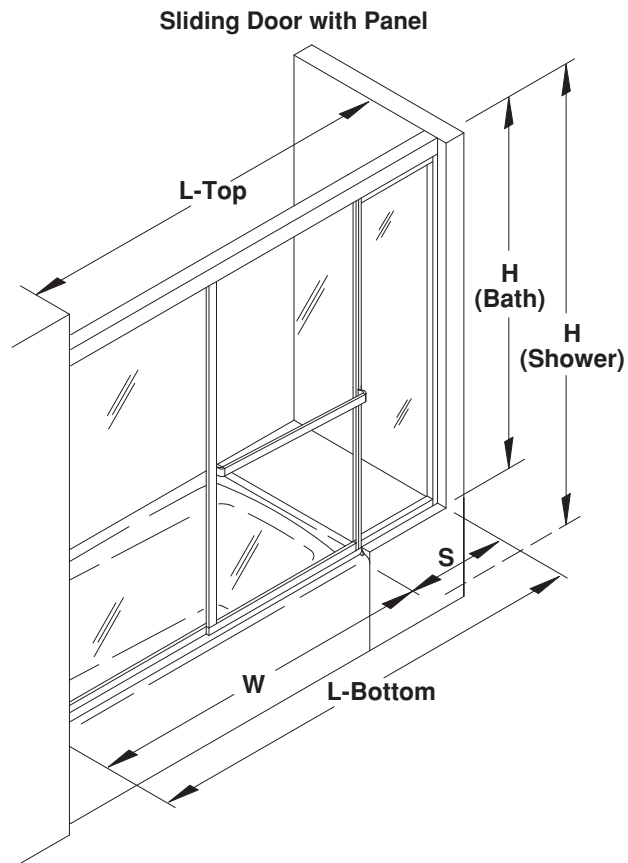
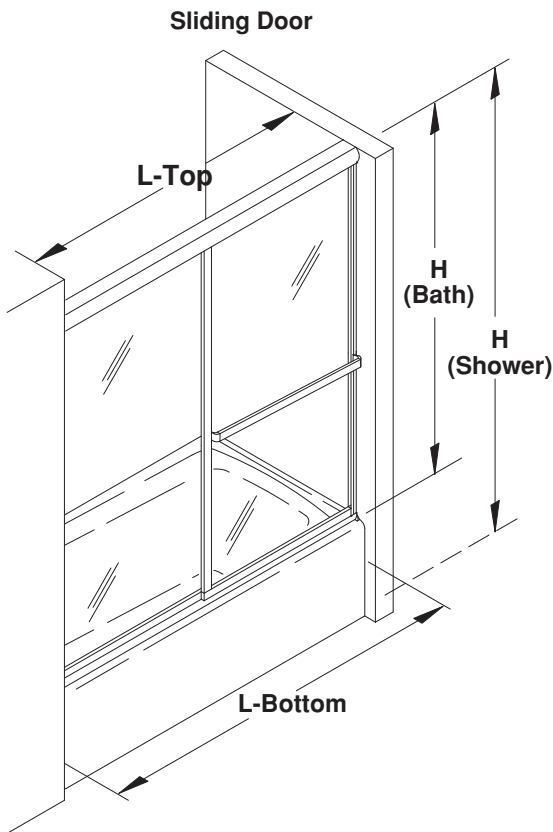
Measure installation area and fill in dimensions for your style of Door and Panel(s).

DIM L-Top \_\_\_\_\_ DIM H \_\_\_\_\_  
 Door Width Height (from threshold up)

DIM W \_\_\_\_\_ DIM S \_\_\_\_\_  
 Door Width (Door with Side Panel) Inline Panel Width

DIM L-Bottom \_\_\_\_\_  
 Total Width (W+S - Door with Side Panel)

**Note:** Glass panels are **not** the exact size of the opening. Allow for framing. Please check your pan with a level to make sure there is no outage. If so, we need to check which side is out.



\*Bath Door Framed style shown.

Fill in your dimensions and bring this form in to us so that we can help you with your door selection.